



DY Series 1-Piece Ball Valves

Catalog 1001C-A

July 2012

aerospace
climate control
electromechanical
filtration
fluid & gas handling
hydraulics
pneumatics
process control
sealing & shielding



ENGINEERING YOUR SUCCESS.

Contents

Page 3	Introduction
Page 3	Features
Page 3	Specifications
Page 4	Pressure vs. Temperature
Page 4	Dimensions & Materials List
Page 5	How to Order

Introduction

Parker's DY series 1-piece, stainless steel, low pressure ball valve offers quick, quarter turn shut off capability for chemical, petrochemical, oil & gas, pulp & paper, and instrumentation applications. The DY series ball valve is designed for most of the industrial pipe line. With its blow out resistant stem, standard locking lever handle and NPT, BSPT, BSPP end connections. The DY Series is an excellent, cost effective choice for applications ranging in size from 1/4" to 2", and provides total shut off capability for services up to 69 Bar (1000 PSI).

Features

- Ball valve bodies are machined from CF-8M stainless steel castings, equivalent of 316 stainless steel which is suited for corrosive environments.
- Highly inert PTFE seats and seals provide resistance to chemical corrosion.
- For chemical and industrial applications.
- Blow out proof stem design, 316 stainless ball and a special design handle enable increased turn and leverage for ease of opening and closing.
- Positive handle stops, with locking device.
- 100% factory tested.

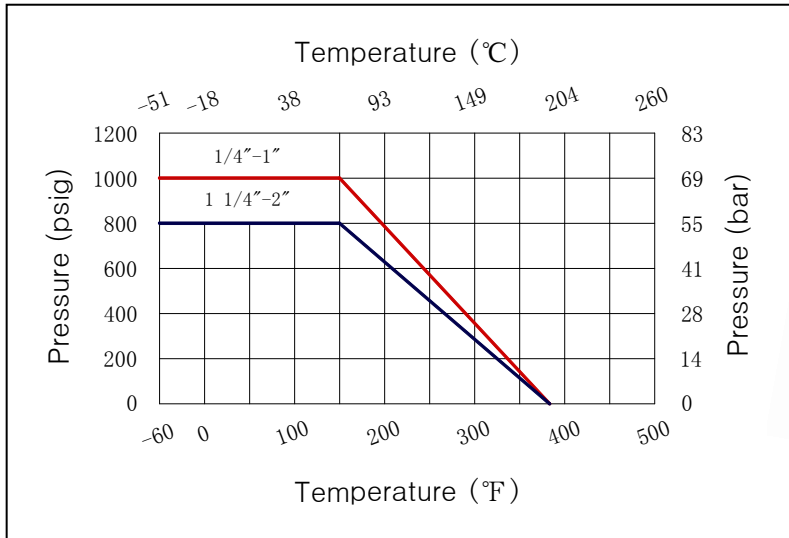


Model Shown: 16F-DY16L-T-SS

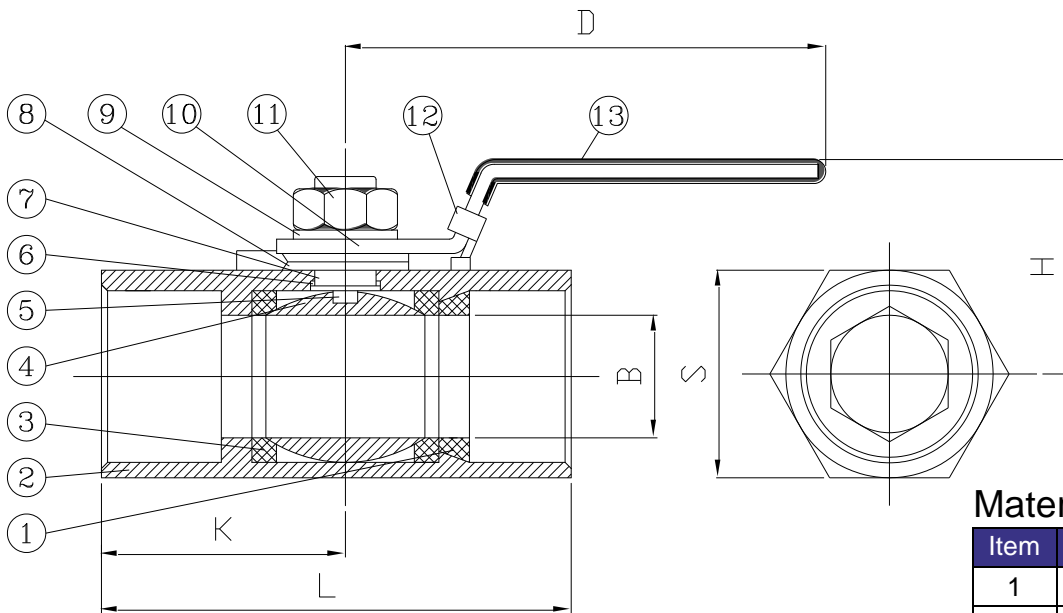
Specifications

Working Pressure	69 Bar (1000 PSI) CWP
Temperature Ratings	-51 °C to 193°C (-60 °F to 380 °F)
Body Material	CF8M Stainless Steel, 316SS Cast Equivalent
Ball and Stem Material	316 Stainless Steel
End Connections	Female NPT / BSPT / BSPP
Port Size	1/4" to 2"

Pressure vs. Temperature



Dimensions & Materials List



Dimensions (mm)

Part No.	Size	B	H	D	L	S	K	W(kg)
4F-DY4L-T-SS	1/4"	5	38	62.5	39	17	19	0.07
6F-DY6L-T-SS	3/8"	7	40	73	44	21	21	0.11
8F-DY8L-T-SS	1/2"	9.2	51	85	56.5	25	27.5	0.18
12F-DY12L-T-SS	3/4"	12.5	53	87	59	32	30	0.26
16F-DY16L-T-SS	1"	16.0	56	107	71	38	36	0.42
20F-DY20L-T-SS	1 1/4"	20	61	107	78	49	40	0.75
24F-DY24L-T-SS	1 1/2"	25	68	130	83	53	42.5	0.85
32F-DY32L-T-SS	2"	32	73	130	100	65	51	1.35

Materials List

Item	Part	Material
1	Insert	CF8M
2	Body	CF8M
3	Seat	PTFE
4	Ball	SS 316
5	Stem	SS 316
6	Thrust Washer	PTFE
7	Stem Packing	PTFE
8	Gland Washer	SS 304
9	Washer	SS 304
10	Handle	SS 304
11	Nut Stopper	SS 304
12	Locking Device	SS 304
13	Sleeve	Plastic

How to Order

The correct part number is easily derived from the following number sequence. The six product characteristics required are coded as shown below.

Example: 8F - DY8L - T - SS Describes a DY8L Two-Way Ball Valve with 1/2" female NPT end connections for inlet and outlet ports, PTFE stem packing & seats, and stainless steel construction.

8	F	—	DY8	—	T	—	SS
Port Size	Inlet / Outlet Ports		Valve Series	Valve Configuration	Stem Packing & Seat Material		Body Material
4	F - Female NPT		DY4	L - 2 Way	T - PTFE		SS – Stainless Steel
6	TF - Female BSPT		DY6				
8	PF - Female BSPP		DY8				
12			DY12				
16			DY16				
20			DY20				
24			DY24				
32			DY32				

WARNING

FAILURE, IMPROPER SELECTION OR IMPROPER USE OF THE PRODUCTS AND/OR SYSTEMS DESCRIBED HEREIN OR RELATED ITEMS CAN CAUSE DEATH, PERSONAL INJURY AND PROPERTY DAMAGE.

This document and other information from Parker Hannifin Corporation, its subsidiaries and authorized distributors provide product and/or system options for further investigation by users having technical expertise. It is important that you analyze all aspects of your application and review the information concerning the product or system in the current product catalog. Due to the variety of operating conditions and applications for these products or systems, the user, through its own analysis and testing, is solely responsible for making the final selection of the products and systems and assuring that all performance, safety and warning requirements of the application are met.

The products described herein, including without limitation, product features, specifications, designs, availability and pricing, are subject to change by Parker Hannifin Corporation and its subsidiaries at any time without notice.

Offer of Sale

The items described in this document are available for sale by Parker Hannifin Corporation, its subsidiaries or its authorized distributors. Any sale contract entered into by Parker will be governed by the provisions stated in Parker's standard terms and conditions of sale (copy available upon request).

Catalog 1001C-A

Parker Hannifin Instrumentation



ENGINEERING YOUR SUCCESS.