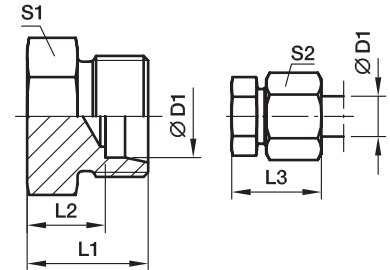


ROV Blanking plug for tube ends

EO 24° cone end



Series	D1 	L1	L2	L3	S1	S2	Weight g/1 piece	Order code*	PN (bar) ¹⁾		
									CF	A3C	71
L ³⁾	06	14	7.0	22	12	14	8	ROV06L	315	315	315
	08	15	8.0	23	14	17	13	ROV08L	315	315	315
	10	16	9.0	24	17	19	17	ROV10L	315	315	315
	12	17	10.0	25	19	22	24	ROV12L	315	315	315
	15	18	11.0	26	24	27	41	ROV15L	315	315	315
	18	19	11.5	28	27	32	56	ROV18L	315	315	315
	22	21	13.5	30	32	36	84	ROV22L	160	160	160
	28	22	14.5	31	41	41	138	ROV28L	160	160	160
	35	25	14.5	36	46	50	203	ROV35L	160	160	160
	42	27	16.0	39	55	60	318	ROV42L	160	160	160
S ⁴⁾	06	18	11.0	26	14	17	17	ROV06S	630	630	630
	08	20	13.0	28	17	19	28	ROV08S	630	630	630
	10	20	12.5	29	19	22	33	ROV10S	630	630	630
	12	22	14.5	31	22	24	50	ROV12S	630	630	630
	14	24	16.0	34	24	27	62	ROV14S	630	630	630
	16	24	15.5	34	27	30	75	ROV16S	400	400	400
	20	28	17.5	39	32	36	125	ROV20S	400	400	400
	25	32	20.0	44	41	46	229	ROV25S	400	400	400
	30	34	20.5	47	46	50	310	ROV30S	400	400	400
	38	39	23.0	54	55	60	508	ROV38S	315	315	315

¹⁾ Pressure shown = item deliverable

³⁾ L = light series; ⁴⁾ S = heavy series

$\frac{\text{PN (bar)}}{10} = \text{PN (MPa)}$

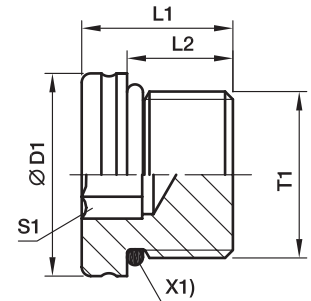
Delivery without nut and ring. Information on ordering complete fittings see page 17.

*Please add the **suffixes** below according to the material/surface required.

Order code suffixes		
Material	Suffix surface and material	Example
Steel, zinc plated, chrome ⁶ -free	CFX	ROV16SCFX
Steel, zinc yellow plated	A3CX	ROV16SA3CX
Stainless Steel	71X	ROV16S71X

VSTI M-OR Blanking plug for ports

Male metric thread – O-ring (ISO 6149)



X1) O-ring OR

T1	D1	L1	L2	S1	Weight g/1 piece	Order code*	PN (bar) ¹⁾	
							CF	A3C
M8×1	12	13.0	9.5	4	6	VSTI8X1OR	630	630
M10×1	13	13.5	9.5	5	8	VSTI10X1OR	630	630
M12×1.5	17	16.0	11.0	6	14	VSTI12X1.5OR	630	630
M14×1.5	19	16.0	11.0	6	20	VSTI14X1.5OR	630	630
M16×1.5	21	17.5	12.5	8	26	VSTI16X1.5OR	630	630
M18×1.5	23	19.0	14.0	8	37	VSTI18X1.5OR	630	630
M22×1.5	27	20.0	15.0	10	58	VSTI22X1.5OR	630	630
M26×1.5	31	21.0	16.0	12	77	VSTI26X1.5OR	400	400
M27×2	32	23.5	18.5	12	95	VSTI27X2OR	400	400
M33×2	38	25.0	18.5	14	148	VSTI33X2OR	400	400
M42×2	48	25.5	19.0	22	233	VSTI42X2OR	400	400
M48×2	55	28.0	21.5	24	336	VSTI48X2OR	400	400

¹⁾ Pressure shown = item deliverable

$$\frac{\text{PN (bar)}}{10} = \text{PN (MPa)}$$

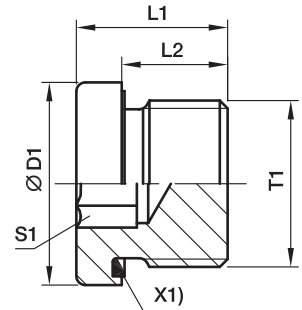
Information on ordering alternative sealing materials see page I7.

*Please add the **suffixes** below according to the material/surface required.

Order code suffixes			
Material	Suffix surface and material	Example	Standard sealing material (no additional suffix needed)
Steel, zinc plated, chrome ⁶ -free	CF	VSTI18X1.5ORCF	NBR
Steel, zinc yellow plated	A3C	VSTI18X1.5ORA3C	NBR

VSTI M/R-ED Blanking plug for ports

Male metric thread – ED-seal (ISO 9974)
 Male BSPP thread – ED-seal (ISO 1179)



X1) Eolastic-sealing ED

Male metric parallel thread T1	Male stud BSP thread T1	D1	L1	L2	S1	Weight g/1 piece	Order code*	Order code*	PN (bar) ¹⁾		
									CF	A3C	71
M 10×1	G 1/8 A	14.0	12.0	8	5	8	VSTI10X1ED	VSTI1/8ED	400	400	400
M 12×1.5		17.0	17.0	12	6	14	VSTI12X1.5ED		400	400	400
M 14×1.5	G 1/4 A	19.0	17.0	12	6	20	VSTI14X1.5ED	VSTI1/4ED	400	400	400
M 16×1.5	G 3/8 A	22.0	17.0	12	8	25	VSTI16X1.5ED	VSTI3/8ED	400	400	400
M 18×1.5		23.9	17.0	12	8	32	VSTI18X1.5ED		400	400	400
M 20×1.5		25.9	19.0	14	10	42	VSTI20X1.5ED		400	400	400
M 22×1.5	G 1/2 A	27.0	19.0	14	10	51	VSTI22X1.5ED	VSTI1/2ED	400	400	400
M 26×1.5		31.9	21.0	16	12	78	VSTI26X1.5ED		400	400	400
M 27×2	G 3/4 A	32.0	21.0	16	12	79	VSTI27X2ED	VSTI3/4ED	400	400	400
M 33×2	G 1 A	39.9	22.5	16	17	130	VSTI33X2ED	VSTI1ED	400	400	400
M 42×2	G 1 1/4 A	49.9	22.5	16	22	198	VSTI42X2ED	VSTI1 1/4ED	315	315	315
M 48×2	G 1 1/2 A	55.0	22.5	16	24	263	VSTI48X2ED	VSTI1 1/2ED	315	315	315

¹⁾ Pressure shown = item deliverable

$$\frac{\text{PN (bar)}}{10} = \text{PN (MPa)}$$

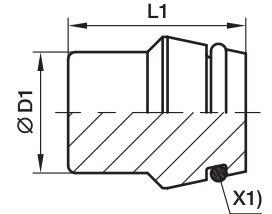
Information on ordering alternative sealing materials see page 17.

*Please add the **suffixes** below according to the material/surface required.

Order code suffixes			
Material	Suffix surface and material	Example	Standard sealing material (no additional suffix needed)
Steel, zinc plated, chrome ⁶ -free	CF	VSTI1/2EDCF	NBR
Steel, zinc yellow plated	A3C	VSTI1/2EDA3C	NBR
Stainless Steel	71	VSTI1/2ED71	VIT

VKA Blanking plug for cones

EO 24° DKO swivel



X1) O-ring OR

Series	D1 	L1	Weight g/1 piece	Order code*	PN (bar) ¹⁾			
					CF	A3C	71	MS
L ³⁾	06	18.5	6	VKA06	500	315	315	200
	08	18.5	9	VKA08	500	315	315	200
	10	20.0	15	VKA10	500	315	315	200
	12	20.5	21	VKA12	400	315	315	200
	15	20.5	32	VKA15	400	315	315	200
	18	22.5	49	VKA18	400	315	315	200
	22	25.0	80	VKA22	250	160	160	100
	28	25.5	131	VKA28	250	160	160	100
	35	30.0	240	VKA35	250	160	160	100
	42	30.0	343	VKA42	250	160	160	100
S ⁴⁾	06	18.5	6	VKA06	800	630	630	400
	08	18.5	9	VKA08	800	630	630	400
	10	20.0	15	VKA10	800	630	630	400
	12	20.5	21	VKA12	630	630	630	400
	14	22.5	30	VKA14	630	630	630	400
	16	23.5	40	VKA16	630	400	400	250
	20	28.5	78	VKA20	420	400	400	250
	25	29.0	120	VKA25	420	400	400	250
	30	30.5	180	VKA30	420	400	400	250
	38	33.0	309	VKA38	420	315	315	200

¹⁾ Pressure shown = item deliverable

³⁾ L = light series; ⁴⁾ S = heavy series

$$\frac{\text{PN (bar)}}{10} = \text{PN (MPa)}$$

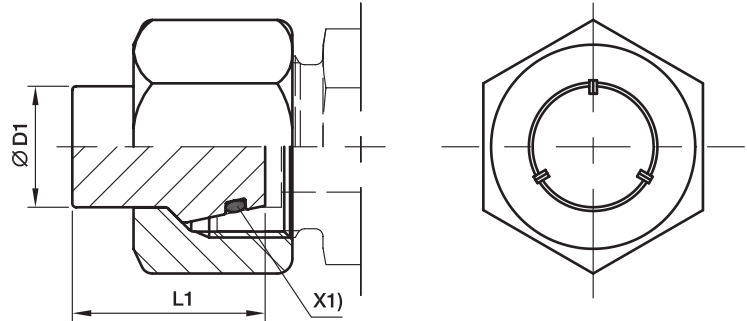
Information on ordering alternative sealing materials see page 17.

Order code suffixes			
Material	Suffix surface and material	Example	Standard sealing material (no additional suffix needed)
Steel, zinc plated, chrome ⁶ -free	CF	VKA16CF	NBR
Steel, zinc yellow plated	A3C	VKA16A3C	NBR
Stainless Steel	71	VKA1671	VIT
Brass	MS	VKA16MS	NBR

*Please add the **suffixes** below according

VKAM Blanking plug with nut for cone

EO 24° DKO swivel



X1) O-ring OR

Series	D1 	L1	Weight g/1 piece	Order code*	PN (bar) ¹⁾		
					CF	A3C	71
L ³⁾	06	18.5	15	VKAM06L	500	315	315
	08	18.5	24	VKAM08L	500	315	315
	10	20.0	33	VKAM10L	500	315	315
	12	20.5	46	VKAM12L	400	315	315
	15	20.5	73	VKAM15L	400	315	315
	18	22.5	111	VKAM18L	400	315	315
	22	25.0	162	VKAM22L	250	160	160
	28	25.5	220	VKAM28L	250	160	160
	35	30.0	376	VKAM35L	250	160	160
	42	30.0	558	VKAM42L	250	160	160
S ⁴⁾	06	18.5	23	VKAM06S	800	630	630
	08	18.5	29	VKAM08S	800	630	630
	10	20.0	46	VKAM10S	800	630	630
	12	20.5	55	VKAM12S	630	630	630
	14	22.5	83	VKAM14S	630	630	630
	16	23.5	106	VKAM16S	630	400	400
	20	28.5	180	VKAM20S	420	400	400
	25	29.0	322	VKAM25S	420	400	400
	30	30.5	398	VKAM30S	420	400	400
	38	33.0	647	VKAM38S	420	315	315

1) Pressure shown = item deliverable

3) L = light series; 4) S = heavy series

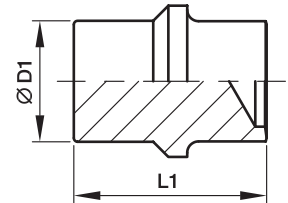
$$\frac{\text{PN (bar)}}{10} = \text{PN (MPa)}$$

Information on ordering alternative sealing materials see page 17.

Order code suffixes			
Material	Suffix surface and material	Example	Standard sealing material (no additional suffix needed)
Steel, zinc plated, chrome ⁶ -free	CF	VKAM16SCF	NBR
Steel, zinc yellow plated	A3C	VKAM16SA3C	NBR
Stainless Steel	71	VKAM16S71	VIT

 *Please add the **suffixes** below according to the material/surface required.

BUZ Blanking plug for cones



Series	D1 	L1	Weight g/1 piece	Order code*	PN (bar) ¹⁾			
					CF	A3C	71	MS
L ³⁾	06	19.5	5	BUZ06L	315	315	315	200
	08	19.5	8	BUZ08L	315	315	315	200
	10	21.0	13	BUZ10L	315	315	315	200
	12	21.8	20	BUZ12L	315	315	315	200
	15	22.0	30	BUZ15L	315	315	315	200
	18	24.0	45	BUZ18L	315	315	315	200
	22	26.0	74	BUZ22L	160	160	160	100
	28	26.5	117	BUZ28L	160	160	160	100
	35	32.0	217	BUZ35L	160	160	160	100
	42	32.5	308	BUZ42L	160	160	160	100
S ⁴⁾	06	19.5	5	BUZ06S	630	630	630	400
	08	19.5	8	BUZ08S	630	630	630	400
	10	21.0	13	BUZ10S	630	630	630	400
	12	21.8	20	BUZ12S	630	630	630	400
	14	23.5	28	BUZ14S	630	630	630	400
	16	25.5	39	BUZ16S	400	400	400	250
	20	30.5	73	BUZ20S	400	400	400	250
	25	32.5	119	BUZ25S	400	400	400	250
	30	35.5	181	BUZ30S	400	400	400	250
	38	40.0	325	BUZ38S	315	315	315	200

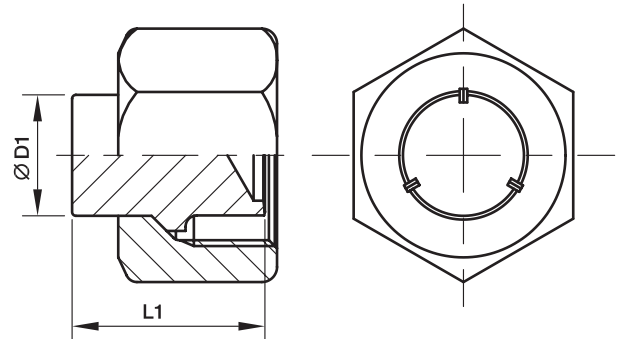
¹⁾ Pressure shown = item deliverable

³⁾ L = light series; ⁴⁾ S = heavy series

$\frac{PN \text{ (bar)}}{10} = PN \text{ (MPa)}$

*Please add the **suffixes** below according to the material/surface required.

Order code suffixes		
Material	Suffix surface and material	Example
Steel, zinc plated, chrome ⁶ -free	CFX	BUZ16SCFX
Steel, zinc yellow plated	A3CX	BUZ16SA3CX
Stainless Steel	71X	BUZ16S71X
Brass	MSX	BUZ16SMSX

BUZM Blanking plug with nut for cones


Series	D1 	L1	Weight g/1 piece	Order code*	PN (bar) ¹⁾		
					CF	A3C	71
L ³⁾	06	19.5	15	BUZM06L	315	315	315
	08	19.5	23	BUZM08L	315	315	315
	10	21.0	31	BUZM10L	315	315	315
	12	21.8	45	BUZM12L	315	315	315
	15	22.0	71	BUZM15L	315	315	315
	18	24.0	107	BUZM18L	315	315	315
	22	26.0	156	BUZM22L	160	160	160
	28	26.5	206	BUZM28L	160	160	160
	35	32.0	354	BUZM35L	160	160	160
	42	32.5	524	BUZM42L	160	160	160
S ⁴⁾	06	19.5	23	BUZM06S	630	630	630
	08	19.5	28	BUZM08S	630	630	630
	10	21.0	44	BUZM10S	630	630	630
	12	21.8	54	BUZM12S	630	630	630
	14	23.5	81	BUZM14S	630	630	630
	16	25.5	105	BUZM16S	400	400	400
	20	30.5	176	BUZM20S	400	400	400
	25	32.5	321	BUZM25S	400	400	400
	30	35.5	399	BUZM30S	400	400	400
	38	40.0	664	BUZM38S	315	315	315

¹⁾ Pressure shown = item deliverable

³⁾ L = light series; ⁴⁾ S = heavy series

$\frac{\text{PN (bar)}}{10} = \text{PN (MPa)}$

*Please add the **suffixes** below according to the material/surface required.

Order code suffixes		
Material	Suffix surface and material	Example
Steel, zinc plated, chrome ⁶ -free	CF	BUZM16SCF
Steel, zinc yellow plated	A3C	BUZM16SA3C
Stainless Steel	71	BUZM16S71