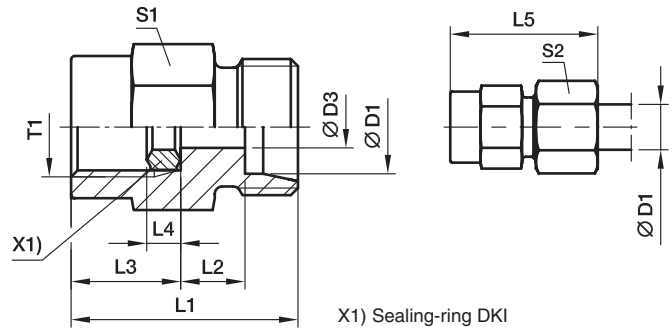


MAV Pressure gauge connector

Female BSPP thread / EO 24° cone end



Series	D1	T1	D3	L1	L2	L3	L4	L5	S1	S2	Weight g/1 piece	Order code*	PN (bar) ¹⁾			
													CF	A3C	71	MS
LL ²⁾	04	G1/4	2.5	27	8.5	14.5	4.5	33	19	10	33	MAV04LLROMD	100	100		
L ³⁾	06	G1/4	2.5	29	7.5	14.5	4.5	37	19	14	37	MAV06LROMD	315	315	315	315
	08	G1/4	5.5	29	7.5	14.5	4.5	37	19	17	38	MAV08LROMD	315	315	315	315
	10	G1/4	5.5	30	8.5	14.5	4.5	38	19	19	41	MAV10LROMD	315	315	315	315
	12	G1/4	5.5	30	8.5	14.5	4.5	38	19	22	43	MAV12LROMD	315	315	315	315
S ⁴⁾	06	G1/2	3.5	38	11.0	20.0	5.0	46	27	17	86	MAV06SROMD	630	630	630	630
	08	G1/2	3.5	38	11.0	20.0	5.0	46	27	19	86	MAV08SROMD	630	630	630	630
	10	G1/2	7.5	38	10.5	20.0	5.0	47	27	22	88	MAV10SROMD	630	630	630	630
	12	G1/2	7.5	38	10.5	20.0	5.0	47	27	24	93	MAV12SROMD	630	630	630	630

¹⁾ Pressure shown = item deliverable

²⁾ LL = very light series; ³⁾ L = light series; ⁴⁾ S = heavy series

$$\frac{\text{PN (bar)}}{10} = \text{PN (MPa)}$$

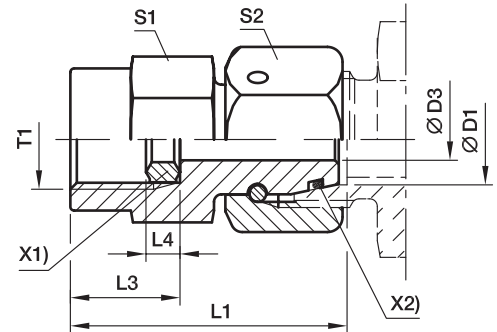
Delivery without nut and ring. Information on ordering complete fittings see page I7.

Order code suffixes		
Material	Suffix surface and material	Example
Steel, zinc plated, chrome ⁶ -free	CF	MAV10SROMDCF
Steel, zinc yellow plated	A3C	MAV10SROMDA3C
Stainless Steel	71	MAV10SROMD71
Brass	MS	MAV10SROMDMS

*Please add the **suffixes** below according to the material/surface required.

MAVE Pressure gauge swivel connector

Female BSPP thread / EO 24° DKO swivel



X1) Sealing-ring DK1
X2) O-ring OR

Series	D1	T1	D3	L1	L3	L4	S1	S2	Weight g/1 piece	Order code*	PN (bar) ¹⁾		
											CF	A3C	71
L ³⁾	06	G1/4	2.5	35.5	14.5	4.5	19	14	46	MAVE06LR	315	315	315
	08	G1/4	4.0	35.5	14.5	4.5	19	17	52	MAVE08LR	315	315	315
	10	G1/4	5.5	36.0	14.5	4.5	19	19	59	MAVE10LR	315	315	315
	12	G1/4	5.5	36.0	14.5	4.5	19	22	70	MAVE12LR	315	315	315
S ⁴⁾	06	G1/2	2.5	42.5	20.0	5.0	27	17	95	MAVE06SR	630	630	630
	06	G1/4	2.5	35.5	14.5	4.5	19	17	52	MAVE06SR1/4	630	630	630
	08	G1/2	4.0	43.0	20.0	5.0	27	19	100	MAVE08SR	630	630	630
	08	G1/4	4.0	35.5	14.5	4.5	19	19	58	MAVE08SR1/4	630	630	630
	10	G1/2	6.0	43.5	20.0	5.0	27	22	109	MAVE10SR	630	630	630
	10	G1/4	7.0	39.0	14.5	4.5	19	22	67	MAVE10SR1/4	630	630	630
	12	G1/2	7.0	45.0	20.0	5.0	27	24	125	MAVE12SR	630	630	630
	12	G1/4	7.0	39.0	14.5	4.5	19	24	83	MAVE12SR1/4	630	630	630

¹⁾ Pressure shown = item deliverable

³⁾ L = light series; ⁴⁾ S = heavy series

$$\frac{\text{PN (bar)}}{10} = \text{PN (MPa)}$$

Information on ordering alternative sealing materials see page 17.

*Please add the **suffixes** below according to the material/surface required.

Order code suffixes			
Material	Suffix surface and material	Example	Standard sealing material (no additional suffix needed)
Steel, zinc plated, chrome ⁶ -free	CF	MAVE10SRCF	NBR
Steel, zinc yellow plated	A3C	MAVE10SRA3C	NBR
Stainless Steel	71	MAVE10SR71	VIT