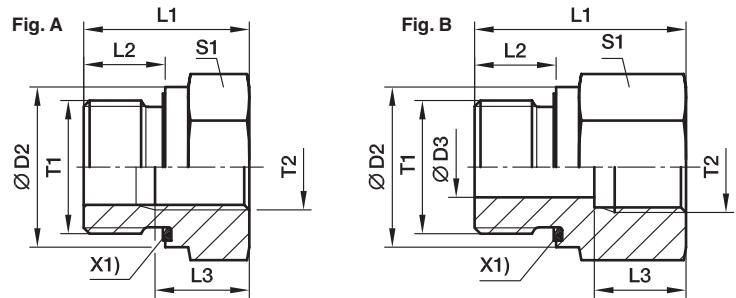


RI-ED Thread reducer/expander

Male BSPP thread – ED-seal (ISO 1179) / Female BSPP thread (ISO 1179-1)



X1) Eolastic-sealing ED

Male Stud T1	Female Stud T2	D2	D3	L1	L2	L3	S1	Fig.	Weight g/1 piece	Order code*	PN (bar) ¹⁾		
											CF	A3C	71
G 1/8 A	G 1/4	14	4	31.0	8	17.0	19	B	41	RI1/8EDX1/4	400	400	400
G 1/8 A	G 3/8	14	4	32.0	8	17.0	24	B	63	RI1/8EDX3/8	400	400	400
G 1/4 A	G 1/8	19	5	29.0	12	12.0	19	B	41	RI1/4EDX1/8	400	400	400
G 1/4 A	G 3/8	19	5	36.0	12	17.0	24	B	69	RI1/4EDX3/8	400	400	400
G 1/4 A	G 1/2	19	5	40.0	12	20.0	30	B	120	RI1/4EDX1/2	400	400	400
G 1/4 A	G 3/4	19	5	43.0	12	22.0	36	B	171	RI1/4EDX3/4	400	400	400
G 3/8 A	G 1/8	22		22.5	12	8.0	22	A	38	RI3/8EDX1/8	400	400	400
G 3/8 A	G 1/4	22	8	36.0	12	17.0	22	B	68	RI3/8EDX1/4	400	400	400
G 3/8 A	G 1/2	22	8	41.0	12	20.0	30	B	124	RI3/8EDX1/2	400	400	400
G 3/8 A	G 3/4	22	8	44.0	12	22.0	36	B	182	RI3/8EDX3/4	315	315	315
G 1/2 A	G 1/8	27		24.0	14	8.0	27	A	65	RI1/2EDX1/8	400	400	400
G 1/2 A	G 1/4	27		24.0	14	12.0	27	A	56	RI1/2EDX1/4	400	400	400
G 1/2 A	G 3/8	27	12	37.0	14	17.0	27	B	95	RI1/2EDX3/8	400	400	400
G 1/2 A	G 3/4	27	12	46.0	14	22.0	36	B	183	RI1/2EDX3/4	315	315	315
G 1/2 A	G 1	27	12	49.0	14	24.5	41	B	232	RI1/2EDX1	315	315	315
G 1/2 A	G 1 1/4	27	10	53.0	14	26.5	55	B	481	RI1/2EDX11/4	315	315	315
G 3/4 A	G 1/4	32		26.0	16	12.0	32	A	103	RI3/4EDX1/4	315	315	315
G 3/4 A	G 3/8	32		26.0	16	12.0	32	A	86	RI3/4EDX3/8	315	315	315
G 3/4 A	G 1/2	32	16	43.0	16	20.0	32	B	156	RI3/4EDX1/2	315	315	315
G 3/4 A	G 1	32	16	51.0	16	24.5	41	B	237	RI3/4EDX1	315	315	315
G 3/4 A	G 1 1/4	32	16	55.0	16	26.5	55	B	486	RI3/4EDX11/4	315	315	315
G 3/4 A	G 1 1/2	32	16	57.0	16	28.5	60	B	561	RI3/4EDX11/2	250	250	250
G 1 A	G 1/4	40		29.0	18	12.0	41	A	197	RI1EDX1/4	315	315	315
G 1 A	G 3/8	40		29.0	18	12.0	41	A	179	RI1EDX3/8	315	315	315
G 1 A	G 1/2	40		29.0	18	14.0	41	A	153	RI1EDX1/2	315	315	315
G 1 A	G 3/4	40	20	49.0	18	22.0	41	B	290	RI1EDX3/4	315	315	315
G 1 A	G 1 1/4	40	20	57.0	18	26.5	55	B	503	RI1EDX11/4	315	315	315
G 1 A	G 1 1/2	40	20	59.0	18	28.5	60	B	585	RI1EDX11/2	250	250	250
G 1 1/4 A	G 1/2	50		32.0	20	14.0	50	A	313	RI11/4EDX1/2	315	315	315
G 1 1/4 A	G 3/4	50		32.0	20	16.0	50	A	393	RI11/4EDX3/4	315	315	315
G 1 1/4 A	G 1	50	25	5.0	20	24.5	50	B	469	RI11/4EDX1	315	315	315
G 1 1/4 A	G 1 1/2	50	25	60.0	20	28.5	60	B	624	RI11/4EDX11/2	250	250	250
G 1 1/2 A	G 1/2	55		36.0	22	14.0	55	A	470	RI11/2EDX1/2	250	250	250
G 1 1/2 A	G 3/4	55		36.0	22	16.0	55	A	415	RI11/2EDX3/4	250	250	250
G 1 1/2 A	G 1	55		36.0	22	18.0	55	A	338	RI11/2EDX1	250	250	250
G 1 1/2 A	G 1 1/4	55	32	58.0	22	26.5	55	B	542	RI11/2EDX11/4	250	250	250
G 2 A	G 1 1/2	75	40	65.0	24	28.5	75	B	1309	RI2EDX11/2	160	160	

¹⁾ Pressure shown = item deliverable

PN (bar) = PN (MPa)
10

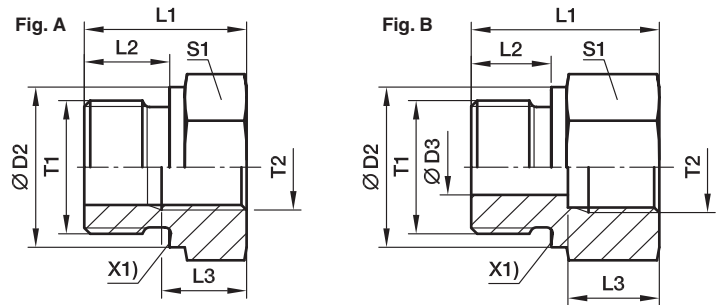
Information on ordering alternative sealing materials see page 17.

*Please add the **suffixes** below according to the material/surface required.

Order code suffixes			
Material	Suffix surface and material	Example	Standard sealing material (no additional suffix needed)
Steel, zinc plated, chrome ²⁾ -free	CF	RI1EDX1/2CF	NBR
Steel, zinc yellow plated	A3C	RI1EDX1/2A3C	NBR
Stainless Steel	71	RI1EDX1/271	VIT

RI Thread reducer/expander

Male BSPP thread – metal sealing edge (ISO 1179) / Female BSPP thread (ISO 1179-1)



X1) metal sealing edge

Male Stud T1	Male Stud T2	D2	D3	L1	L2	L3	S1	Fig.	Weight g/1 piece	Order code*	PN (bar) ¹⁾			
											CF	A3C	71	MS
G 1/8 A	G 1/4	14	4	31.0	8	17.0	19	B	42	R11/8X1/4	400	400	400	250
G 1/8 A	G 3/8	14	4	32.0	8	17.0	24	B	63	R11/8X3/8	400	400	400	250
G 1/4 A	G 1/8	18	5	28.0	12	12.0	19	B	38	R11/4X1/8	400	400	400	250
G 1/4 A	G 3/8	18	5	36.0	12	17.0	24	B	69	R11/4X3/8	400	400	400	250
G 1/4A	G 1/2	18	5	40.0	12	20.0	30	B	116	R11/4X1/2	400	400	400	250
G 1/4 A	G 3/4	18	5	43.0	12	22.0	36	B	170	R11/4X3/4	315	315	315	200
G 3/8 A	G 1/8	22		22.5	12	8.0	22	A	39	R13/8X1/8	400	400	400	250
G 3/8 A	G 1/4	22	8	36.0	12	17.0	22	B	68	R13/8X3/8	400	400	400	250
G 3/8 A	G 1/2	22	8	41.0	12	20.0	30	B	125	R13/8X1/2	400	400	400	250
G 3/8 A	G 3/4	22	8	44.0	12	22.0	36	B	183	R13/8X3/4	315	315	315	200
G 1/2 A	G 1/8	26		24.0	14	8.0	27	A	66	R11/2X1/8	400	400	400	250
G 1/2 A	G 1/4	26		24.0	14	12.0	27	A	56	R11/2X1/4	315	315	315	200
G 1/2 A	G 3/8	26	12	36.0	14	17.0	27	B	94	R11/2X3/8	315	315	315	200
G 1/2 A	G 3/4	26	12	46.0	14	22.0	36	B	182	R11/2X3/4	315	315	315	200
G 1/2 A	G 1	26	12	49.0	14	24.5	41	B	221	R11/2X1	315	315	315	200
G 1/2 A	G 1 1/4	26	10	53.0	14	26.5	55	B	482	R11/2X11/4	160	160	160	
G 3/4 A	G 1/4	32		26.0	16	12.0	32	A	103	R13/4X1/4	315	315	315	200
G 3/4 A	G 3/8	32		26.0	16	12.0	32	A	87	R13/4X3/8	315	315	315	200
G 3/4 A	G 1/2	32	16	41.0	16	20.0	32	B	143	R13/4X1/2	315	315	315	200
G 3/4 A	G 1	32	16	51.0	16	24.5	41	B	235	R13/4X1	315	315	315	200
G 3/4 A	G 1 1/4	32	16	55.0	16	26.5	55	B	481	R13/4X11/4	160	160	160	
G 3/4 A	G 1 1/2	32	16	57.0	16	28.5	60	B	560	R13/4X11/2	160	160	160	
G 1 A	G 1/4	39		29.0	18	12.0	41	A	195	R11X1/4	315	315	315	
G 1 A	G 3/8	39		29.0	18	12.0	41	A	179	R11X3/8	315	315	315	200
G 1 A	G 1/2	39		29.0	18	14.0	41	A	157	R11X1/2	315	315	315	200
G 1 A	G 3/4	39	20	47.0	18	22.0	41	B	278	R11X3/4	315	315	315	200
G 1 A	G 1 1/4	39	20	57.0	18	26.5	55	B	530	R11X11/4	160	160	160	100
G 1 A	G 1 1/2	39	20	59.0	18	28.5	60	B	585	R11X11/2	160	160	160	100
G 1 1/4 A	G 1/2	49		32.0	20	14.0	50	A	308	R111/4X1/2	160	160	160	100
G 1 1/4 A	G 3/4	49		32.0	20	16.0	50	A	267	R111/4X3/4	160	160	160	100
G 1 1/4 A	G 1	49	25	52.0	20	24.5	50	B	458	R111/4X1	160	160	160	100
G 1 1/4 A	G 1 1/2	49	25	60.0	20	28.5	60	B	616	R111/4X11/2	160	160	160	100
G 1 1/2 A	G 1/2	55		36.0	22	14.0	55	A	477	R111/2X1/2	160	160	160	100
G 1 1/2 A	G 3/4	55		36.0	22	16.0	55	A	402	R111/2X3/4	160	160	160	100
G 1 1/2 A	G 1	55		36.0	22	18.0	55	A	337	R111/2X1	160	160	160	100
G 1 1/2 A	G 1 1/4	55	32	58.0	22	26.5	55	B	542	R111/2X11/4	160	160	160	100
G 2 A	G 1 1/2	68	40	62.0	24	28.5	70	B	990	R12X11/2	160	160		

¹⁾ Pressure shown = item deliverable

$$\frac{\text{PN (bar)}}{10} = \text{PN (MPa)}$$

*Please add the **suffixes** below according to the material/surface required.

Order code suffixes		
Material	Suffix surface and material	Example
Steel, zinc plated, chrome ⁶ -free	CFX	R11X1/2CFX
Steel, zinc yellow plated	A3CX	R11X1/2A3CX
Stainless Steel	71X	R11X1/271X
Brass	MSX	R11X1/2MSX