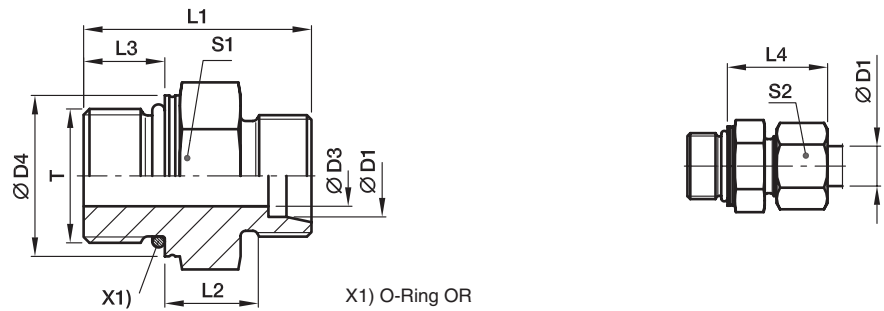


GEO Male stud connector

Male metric thread – O-ring (ISO 6149) / EO 24° cone end



Series	D1	T	D3	D4	L1	L2	L3	L4	S1	S2	Weight g/1 piece	Order code*	PN (bar) ¹⁾		
													CF	A3C	71
LL ²⁾	04	M 08×1	3.0	10.8	20.0	9.5	6.5	19.0	11	10	8	GEO04LLMOMD	100	100	
	04	M 10×1	3.0	12.8	20.0	9.5	6.5	19.0	13	10	11	GEO04LLM10X1OMD	100	100	
	06	M 10×1	4.5	12.8	20.0	8.0	6.5	19.5	13	12	10	GEO06LLMOMD	100	100	
L ³⁾	06	M 10×1	4.5	14.0	24.0	8.5	8.5	23.0	14	14	15	GEO06LMOMD	500	315	315
	08	M 12×1.5	6.0	17.0	28.0	10.0	11.0	25.0	17	17	23	GEO08LMOMD	500	315	315
	10	M 14×1.5	7.5	19.0	29.0	11.0	11.0	26.0	19	19	28	GEO10LMOMD	500	315	315
	12	M 16×1.5	9.0	22.0	31.0	12.5	11.5	27.0	22	22	40	GEO12LMOMD	400	315	315
	15	M 18×1.5	11.0	24.0	33.0	13.5	12.5	29.0	24	27	56	GEO15LMOMD	400	315	315
	18	M 22×1.5	14.0	27.0	35.0	14.5	13.0	31.0	27	32	80	GEO18LMOMD	400	315	315
	22	M 27×2	18.0	32.0	40.0	16.5	16.0	33.0	32	36	104	GEO22LM27X2OMD	250	160	160
	28	M 33×2	23.0	41.0	41.0	17.5	16.0	34.0	41	41	171	GEO28LMOMD	250	160	160
	35	M 42×2	30.0	50.0	44.0	17.5	16.0	39.0	50	50	278	GEO35LMOMD	250	160	160
	42	M 48×2	36.0	55.0	47.5	19.0	17.5	42.0	55	60	340	GEO42LMOMD	250	160	160
S ⁴⁾	06	M 12×1.5	4.0	17.0	31.0	13.0	11.0	28.0	17	17	29	GEO06SMOMD	800	630	630
	08	M 14×1.5	6.0	19.0	33.0	15.0	11.0	30.0	19	19	41	GEO08SMOMD	800	630	630
	10	M 16×1.5	7.0	22.0	35.0	15.0	12.5	31.0	22	22	55	GEO10SMOMD	800	630	630
	12	M 18×1.5	9.0	24.0	38.5	17.0	14.0	33.0	24	24	73	GEO12SMOMD	630	630	630
	16	M 22×1.5	12.0	27.0	42.0	18.5	15.0	37.0	27	30	102	GEO16SMOMD	630	400	400
	20	M 27×2	15.0	32.0	49.5	20.5	18.5	42.0	32	36	169	GEO20SMOMD	420	400	400
	25	M 33×2	20.0	41.0	53.5	23.0	18.5	47.0	41	46	274	GEO25SMOMD	420	400	400
	30	M 42×2	26.0	50.0	56.0	23.5	19.0	50.0	50	50	412	GEO30SMOMD	420	400	400
38	M 48×2	32.0	55.0	63.5	26.0	21.5	57.0	55	60	580	GEO38SMOMD	420	315	315	

¹⁾ Pressure shown = item deliverable

²⁾ LL = very light series; ³⁾ L = light series; ⁴⁾ S = heavy series

$$\frac{PN \text{ (bar)}}{10} = PN \text{ (MPa)}$$

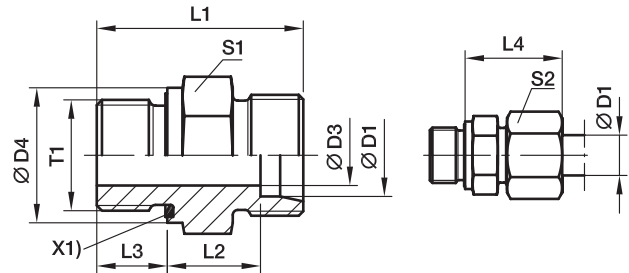
Delivery without nut and ring. Information on ordering complete fittings or alternative sealing materials see page 17.

*Please add the **suffixes** below according to the material/surface required.

Order code suffixes			
Material	Suffix surface and material	Example	Standard sealing material (no additional suffix needed)
Steel, zinc plated, chrome ³⁾ -free	CF	GEO16SMOMDCF	NBR
Steel, zinc yellow plated	A3C	GEO16SMOMDA3C	NBR
Stainless Steel	71	GEO16SMOMD71	VIT

GE-M-ED Male stud connector

Male metric thread – ED (ISO 9974) / EO 24° cone end



X1) Eolastic-sealing ED

Series	D1	T1	D3	D4	L1	L2	L3	L4	S1	S2	Weight g/1 piece	Order code*	PN (bar) ¹⁾		
													CF	A3C	71
L ³⁾	06	M10×1	4	14	23.5	8.5	8	23	14	14	13	GE06LMEDOMD	500	315	315
	08	M12×1.5	6	17	29.0	10.0	12	25	17	17	22	GE08LMEDOMD	500	315	315
	10	M14×1.5	7	19	30.0	11.0	12	26	19	19	29	GE10LMEDOMD	500	315	315
	10	M12×1.5	6	17	30.0	11.0	12	26	17	19	23	GE10LM12X1.5EDOMD	315	315	315
	10	M16×1.5	8	22	31.5	12.5	12	24	22	19	40	GE10LM16X1.5EDOMD	400	315	315
	10	M18×1.5	8	24	31.5	12.5	12	27	24	19	50	GE10LM18X1.5EDOMD	400	315	315
	10	M22×1.5	8	27	35.0	14.0	14	29	27	19	80	GE10LM22X1.5EDOMD	400	315	315
	12	M16×1.5	9	22	31.5	12.5	12	27	22	22	40	GE12LMEDOMD	400	315	315
	12	M14×1.5	7	19	30.0	11.0	12	26	19	22	30	GE12LM14X1.5EDOMD	400	315	315
	12	M18×1.5	10	24	31.5	12.5	12	27	24	22	47	GE12LM18X1.5EDOMD	400	315	315
	12	M22×1.5	10	27	35.0	14.0	14	29	27	22	75	GE12LM22X1.5EDOMD	400	315	315
	15	M18×1.5	11	24	32.5	13.5	12	29	24	27	51	GE15LMEDOMD	400	315	315
	15	M16×1.5	9	22	32.0	13.0	12	28	24	27	64	GE15LM16X1.5EDOMD	400	315	315
	15	M22×1.5	12	27	36.0	15.0	14	30	27	27	77	GE15LM22X1.5EDOMD	400	315	315
	18	M22×1.5	14	27	36.0	14.5	14	31	27	32	74	GE18LMEDOMD	400	315	315
	18	M18×1.5	11	24	33.5	14.0	12	30	27	32	68	GE18LM18X1.5EDOMD	400	315	315
	22	M26×1.5	18	32	40.0	16.5	16	33	32	36	103	GE22LMEDOMD	250	160	160
	22	M22×1.5	14	32	38.0	16.5	14	33	32	36	97	GE22LM22X1.5EDOMD	250	160	160
28	M33×2	23	40	43.0	17.5	18	34	41	41	168	GE28LMEDOMD	250	160	160	
35	M42×2	30	50	48.0	17.5	20	39	50	50	281	GE35LMEDOMD	250	160	160	
42	M48×2	36	55	52.0	19.0	22	42	55	60	356	GE42LMEDOMD	250	160	160	
S ⁴⁾	06	M12×1.5	4	17	32.0	13.0	12	28	17	17	30	GE06SMEDOMD	800	630	630
	08	M14×1.5	5	19	34.0	15.0	12	30	19	19	42	GE08SMEDOMD	800	630	630
	10	M16×1.5	7	22	34.5	15.0	12	31	22	22	54	GE10SMEDOMD	800	630	630
	12	M18×1.5	8	24	36.5	17.0	12	33	24	24	71	GE12SMEDOMD	630	630	630
	12	M14×1.5	5	19	36.0	16.5	12	33	22	24	60	GE12SM14X1.5EDOMD	630	630	630
	12	M22×1.5	8	27	39.0	17.5	14	34	27	24	102	GE12SM22X1.5EDOMD	630	400	400
	14	M20×1.5	10	26	41.0	19.0	14	37	27	27	98	GE14SMEDOMD	630	630	630
	16	M22×1.5	12	27	41.0	18.5	14	37	27	30	95	GE16SMEDOMD	630	400	400
	16	M18×1.5	8	24	38.5	18.0	12	36	27	30	88	GE16SM18X1.5EDOMD	630	400	400
	20	M27×2	16	32	47.0	20.5	16	42	32	36	150	GE20SMEDOMD	420	400	400
	25	M33×2	20	40	53.0	23.0	18	47	41	46	264	GE25SMEDOMD	420	400	400
	30	M42×2	25	50	57.0	23.5	20	50	50	50	422	GE30SMEDOMD	420	400	400
	38	M48×2	32	55	64.0	26.0	22	57	55	60	569	GE38SMEDOMD	420	315	315

¹⁾ Pressure shown = item deliverable

³⁾ L = light series; ⁴⁾ S = heavy series

$$\frac{\text{PN (bar)}}{10} = \text{PN (MPa)}$$

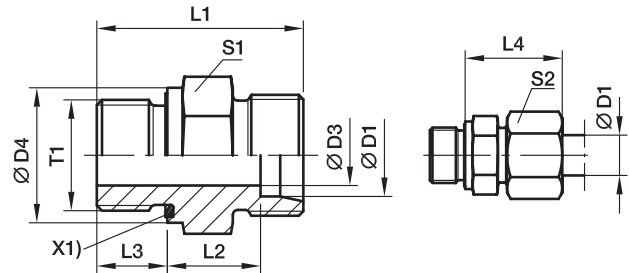
Delivery without nut and ring. Information on ordering complete fittings or alternative sealing materials see page 17.

*Please add the **suffixes** below according to the material/surface required.

Order code suffixes			
Material	Suffix surface and material	Example	Standard sealing material (no additional suffix needed)
Steel, zinc plated, chrome ²⁾ -free	CF	GE16SMEDOMDCF	NBR
Steel, zinc yellow plated	A3C	GE16SMEDOMDA3C	NBR
Stainless Steel	71	GE16SMEDOMD71	VIT

GE-R-ED Male stud connector

Male BSPP thread – ED-seal (ISO 1179) / EO 24° cone end



X1) Eolastic-sealing ED

Series	D1	T1	D3	D4	L1	L2	L3	L4	S1	S2	Weight g/1 piece	Order code*	PN (bar) ¹⁾			
													CF	A3C	71	MS
LL ²⁾	04	G1/8A	3	14	20.0	9.5	6.5	19	14	10	10	GE04LLREDOMD	100	100	100	63
	06	G1/8A	4	14	20.0	8.0	6.5	20	14	12	11	GE06LLREDOMD	100	100	100	63
L ³⁾	06	G1/8A	4	14	23.5	8.5	8.0	23	14	14	13	GE06LREDOMD	500	315	315	200
	06	G1/4A	4	19	29.0	10.0	12.0	25	19	14	28	GE06LR1/4EDOMD	500	315	315	200
	06	G3/8A	4	22	30.5	11.5	12.0	26	22	14	44	GE06LR3/8EDOMD	400	315	315	200
	06	G1/2A	4	27	33.0	12.0	14.0	27	27	14	61	GE06LR1/2EDOMD	400	315	315	200
	08	G1/4A	6	19	29.0	10.0	12.0	25	19	17	27	GE08LREDOMD	500	315	315	200
	08	G1/8A	4	14	24.5	9.5	8.0	24	14	17	16	GE08LR1/8EDOMD	500	315	315	200
	08	G3/8A	6	22	30.5	11.5	12.0	26	22	17	45	GE08LR3/8EDOMD	400	315	315	200
	08	G1/2A	6	27	33.0	12.0	14.0	27	27	17	74	GE08LR1/2EDOMD	400	315	315	200
	10	G1/4A	6	19	30.0	11.0	12.0	26	19	19	29	GE10LREDOMD	500	315	315	200
	10	G1/8A	4	14	25.5	10.5	8.0	25	17	19	21	GE10LR1/8EDOMD	500	315	315	200
	10	G3/8A	8	22	31.5	12.5	12.0	27	22	19	43	GE10LR3/8EDOMD	400	315	315	200
	10	G1/2A	8	27	34.0	13.0	14.0	28	27	19	71	GE10LR1/2EDOMD	400	315	315	200
	12	G3/8A	9	22	31.5	12.5	12.0	27	22	22	41	GE12LREDOMD	400	315	315	200
	12	G1/8A	4	14	26.5	11.5	8.0	26	19	22	26	GE12LR1/8EDOMD	315	315	315	200
	12	G1/4A	6	19	31.0	12.0	12.0	27	19	22	31	GE12LR1/4EDOMD	400	315	315	200
	12	G1/2A	10	27	34.0	13.0	14.0	28	27	22	67	GE12LR1/2EDOMD	400	315	315	200
	12	G3/4A	10	32	37.0	14.0	16.0	29	32	22	118	GE12LR3/4EDOMD	250	160	160	100
	15	G1/2A	11	27	35.0	14.0	14.0	29	27	27	72	GE15LREDOMD	400	315	315	200
	15	G3/8A	9	22	32.5	13.5	12.0	29	24	27	54	GE15LR3/8EDOMD	400	315	315	200
	15	G3/4A	12	32	38.0	15.0	16.0	30	32	27	116	GE15LR3/4EDOMD	250	160	160	100
	18	G1/2A	14	27	36.0	14.5	14.0	31	27	32	71	GE18LREDOMD	400	315	315	200
	18	G3/8A	9	22	33.5	14.0	12.0	30	27	32	66	GE18LR3/8EDOMD	400	315	315	200
	18	G3/4A	15	32	38.0	14.5	16.0	31	32	32	110	GE18LR3/4EDOMD	250	160	160	100
	22	G3/4A	18	32	40.0	16.5	16.0	33	32	36	102	GE22LREDOMD	250	160	160	100
	22	G1/2A	14	27	38.0	16.5	14.0	33	32	36	91	GE22LR1/2EDOMD	250	160	160	100
	22	G1A	19	40	43.0	17.5	18.0	34	41	36	189	GE22LR1EDOMD	250	160	160	100
	28	G1A	23	40	43.0	17.5	18.0	34	41	41	170	GE28LREDOMD	250	160	160	100
	28	G3/4A	18	32	41.0	17.5	16.0	34	41	41	159	GE28LR3/4EDOMD	250	160	160	100
	28	G11/4A	24	50	46.0	18.5	20.0	35	50	41	316	GE28LR11/4EDOMD	250	160	160	100
	35	G11/4A	30	50	48.0	17.5	20.0	39	50	50	272	GE35LREDOMD	250	160	160	100
	35	G1A	23	40	46.0	17.5	18.0	39	46	50	226	GE35LR1EDOMD	250	160	160	100
	35	G11/2A	30	55	52.0	19.5	22.0	41	55	50	423	GE35LR11/2EDOMD	250	160	160	100
	42	G11/2A	36	55	52.0	19.0	22.0	42	55	60	343	GE42LREDOMD	250	160	160	100
	42	G1A	23	40	48.0	19.0	18.0	42	55	60	324	GE42LR1EDOMD	250	160	160	100
	42	G11/4A	30	50	50.0	19.0	20.0	42	55	60	348	GE42LR11/4EDOMD	250	160	160	100

¹⁾ Pressure shown = item deliverable

²⁾ LL = very light series; ³⁾ L = light series

$$\frac{\text{PN (bar)}}{10} = \text{PN (MPa)}$$

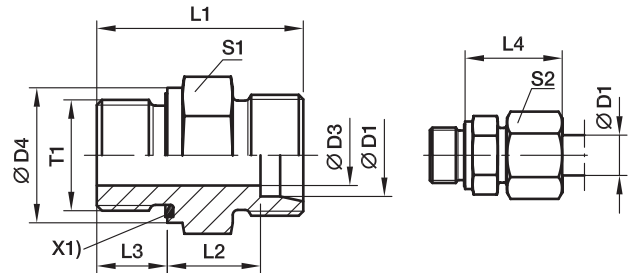
Delivery without nut and ring. Information on ordering complete fittings or alternative sealing materials see page 17.

*Please add the **suffixes** below according to the material/surface required.

Order code suffixes			
Material	Suffix surface and material	Example	Standard sealing material (no additional suffix needed)
Steel, zinc plated, chrome ²⁾ -free	CF	GE18LREDOMDCF	NBR
Stahl, zinc yellow plated	A3C	GE18LREDOMDA3C	NBR
Stainless Steel	71	GE18LREDOMD71	VIT
Brass	MS	GE18LREDOMDMS	NBR

GE-R-ED Male stud connector

Male BSPP thread – ED-seal (ISO 1179) / EO 24° cone end



X1) Eolastic-sealing ED

Series	D1	T1	D3	D4	L1	L2	L3	L4	S1	S2	Weight g/1 piece	Order code*	PN (bar) ¹⁾			
													CF	A3C	71	MS
S ⁴⁾	06	G1/4A	4	19	32.0	13.0	12	28	19	17	35	GE06SREDOMD	800	630	630	400
	06	G1/8A	4	14	27.5	12.5	8	27	14	17	21	GE06SR1/8EDOMD	315	315	315	
	06	G3/8A	4	22	34.5	15.5	12	30	22	17	52	GE06SR3/8EDOMD	630	630	630	
	06	G1/2A	4	27	39.0	18.0	14	33	27	17	83	GE06SR1/2EDOMD	630	630	630	
	08	G1/4A	5	19	34.0	15.0	12	30	19	19	41	GE08SREDOMD	800	630	630	400
	08	G3/8A	5	22	34.5	15.5	12	30	22	19	57	GE08SR3/8EDOMD	800	630	630	
	08	G1/2A	5	27	39.0	18.0	14	33	27	19	89	GE08SR1/2EDOMD	630	400	400	
	10	G3/8A	7	22	34.5	15.0	12	31	22	22	55	GE10SREDOMD	800	630	630	400
	10	G1/4A	5	19	34.0	14.5	12	31	19	22	42	GE10SR1/4EDOMD	800	630	630	
	10	G1/2A	7	27	39.0	17.5	14	34	27	22	97	GE10SR1/2EDOMD	630	630	630	
	12	G3/8A	8	22	36.5	17.0	12	33	22	24	62	GE12SREDOMD	630	630	630	400
	12	G1/4A	5	19	36.0	16.5	12	33	22	24	61	GE12SR1/4EDOMD	630	630	630	
	12	G1/2A	8	27	39.0	17.5	14	34	27	24	99	GE12SR1/2EDOMD	630	630	630	
	14	G1/2A	10	27	41.0	19.0	14	37	27	27	96	GE14SREDOMD	630	630	630	400
	14	G3/8A	8	22	38.5	18.5	12	36	24	27	74	GE14SR3/8EDOMD	630	630	630	
	14	G3/4A	10	32	45.0	21.0	16	39	32	27	138	GE14SR3/4EDOMD	400	400	400	
	16	G1/2A	12	27	41.0	18.5	14	37	27	30	91	GE16SREDOMD	630	400	400	250
	16	G3/8A	8	22	38.5	18.0	12	36	27	30	83	GE16SR3/8EDOMD	630	400	400	
	16	G3/4A	12	27	45.0	20.5	16	39	32	30	152	GE16SR3/4EDOMD	420	400	400	
	20	G3/4A	16	32	47.0	20.5	16	42	32	36	149	GE20SREDOMD	420	400	400	250
20	G1/2A	12	27	45.0	20.5	14	42	32	36	142	GE20SR1/2EDOMD	420	400	400		
20	G1A	16	40	51.0	22.5	18	44	41	36	265	GE20SR1EDOMD	420	400	400		
20	G11/4A	16	50	53.0	22.5	20	44	50	36	404	GE20SR11/4EDOMD	400	400	400		
25	G1A	20	40	53.0	23.0	18	47	41	46	266	GE25SREDOMD	420	400	400	250	
25	G1/2A	12	27	49.0	23.0	14	47	41	46	228	GE25SR1/2EDOMD	420	400	400		
25	G3/4A	16	32	51.0	23.0	16	47	41	46	255	GE25SR3/4EDOMD	420	400	400		
25	G11/4A	20	50	55.0	23.0	20	47	50	46	411	GE25SR11/4EDOMD	400	400	400		
25	G11/2A	20	55	60.0	26.0	22	50	55	46	549	GE25SR11/2EDOMD	315	315	315		
30	G11/4A	25	50	57.0	23.5	20	50	50	50	418	GE30SREDOMD	420	400	400	250	
30	G1A	20	40	55.0	23.5	18	50	46	50	344	GE30SR1EDOMD	420	400	400		
30	G11/2A	25	55	62.0	26.5	22	53	55	50	530	GE30SR11/2EDOMD	315	315	315		
38	G11/2A	32	55	64.0	26.0	22	57	55	60	563	GE38SREDOMD	420	315	315	200	
38	G11/4A	25	50	62.0	26.0	20	57	55	60	575	GE38SR11/4EDOMD	420	315	315		

¹⁾ Pressure shown = item deliverable

⁴⁾ S = heavy series

$\frac{PN \text{ (bar)}}{10} = PN \text{ (MPa)}$

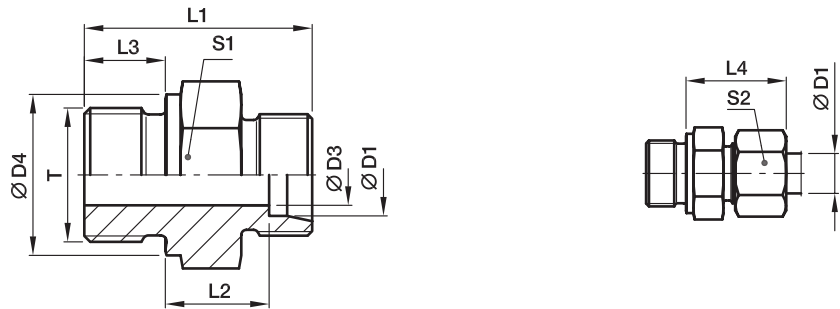
Delivery without nut and ring. Information on ordering complete fittings or alternative sealing materials see page 17.

*Please add the **suffixes** below according to the material/surface required.

Order code suffixes			
Material	Suffix surface and material	Example	Standard sealing material (no additional suffix needed)
Steel, zinc plated, chrome ⁶ -free	CF	GE16SREDOMDCF	NBR
Stahl, zinc yellow plated	A3C	GE16SREDOMDA3C	NBR
Stainless Steel	71	GE16SREDOMD71	VIT
Brass	MS	GE16SREDOMDMS	NBR

GE-R Male stud connector

Male BSPP thread – metal sealing edge (ISO 1179) / EO 24° cone end



Series	D1	T	D3	D4	L1	L2	L3	L4	S1	S2	Weight g/1 piece	Order code*	PN (bar) ¹⁾			
													CF	A3C	71	MS
L ³⁾	06	G1/8A	4	14	23.5	8.5	8	23.0	14	14	14	GE06LR	315	315	315	200
	06	G1/4A	4	18	29.0	10.0	12	25.0	19	14	60	GE06LR1/4	315	315	315	200
	06	G3/8A	4	22	30.5	11.5	12	26.0	22	14	45	GE06LR3/8	315	315	315	200
	06	G1/2A	4	26	33.0	12.0	14	27.0	27	14	60	GE06LR1/2	315	315	315	200
	08	G1/4A	6	18	29.0	10.0	12	25.0	19	17	26	GE08LR	315	315	315	200
	08	G1/8A	4	14	24.5	8.5	8	23.0	14	17	16	GE08LR1/8	315	315	315	200
	08	G3/8A	6	22	30.5	11.5	12	26.0	22	17	44	GE08LR3/8	315	315	315	200
	08	G1/2A	6	26	33.0	12.0	14	27.0	27	17	74	GE08LR1/2	315	315	315	200
	10	G1/4A	6	18	30.0	11.0	12	26.0	19	19	31	GE10LR	315	315	315	200
	10	G1/8A	4	14	25.5	10.5	8	25.0	17	19	21	GE10LR1/8	315	315	315	200
	10	G3/8A	8	22	31.5	12.5	12	27.0	22	19	44	GE10LR3/8	315	315	315	200
	10	G1/2A	8	26	34.0	13.0	14	28.0	27	19	72	GE10LR1/2	315	315	315	200
12	G3/8A	9	22	31.5	12.5	12	27.0	22	22	43	GE12LR	315	315	315	200	
12	G1/8A	4	14	26.5	11.5	8	26.0	19	22	27	GE12LR1/8	315	315	315	200	
12	G1/4A	6	18	31.0	12.0	12	27.0	19	22	32	GE12LR1/4	315	315	315	200	
12	G1/2A	10	26	34.0	13.0	14	28.0	27	22	67	GE12LR1/2	315	315	315	200	
12	G3/4A	10	32	37.0	14.0	16	29.0	32	22	120	GE12LR3/4	315	315	315	200	
15	G1/2A	11	26	35.0	14.0	14	29.0	27	27	72	GE15LR	250	250	250	160	
15	G3/8A	9	22	32.5	13.5	12	29.0	24	27	56	GE15LR3/8	250	250	250	160	
15	G3/4A	12	32	38.0	15.0	16	30.0	32	27	118	GE15LR3/4	250	250	250	160	
18	G1/2A	14	26	36.0	14.5	14	31.0	27	32	72	GE18LR	250	250	250	160	
18	G3/8A	9	22	33.5	14.0	12	29.5	27	32	69	GE18LR3/8	250	250	250	160	
18	G3/4A	15	32	38.0	14.5	16	30.0	32	32	112	GE18LR3/4	250	250	250	160	
22	G3/4A	18	32	40.0	16.5	16	33.0	32	36	103	GE22LR	160	160	160	100	
22	G1/2A	14	26	38.0	16.5	14	33.0	32	36	91	GE22LR1/2	160	160	160	100	
22	G1A	19	39	43.0	17.5	18	33.5	41	36	184	GE22LR1	160	160	160	100	
28	G1A	23	39	43.0	17.5	18	34.0	41	41	168	GE28LR	160	160	160	100	
28	G1/2A	14	26	39.0	17.5	14	34.0	41	41	141	GE28LR1/2	160	160	160	100	
28	G3/4A	18	32	41.0	17.5	16	34.0	41	41	156	GE28LR3/4	160	160	160	100	
28	G11/4A	24	50	46.0	18.3	20	35.0	50	41	314	GE28LR11/4	160	160	160	100	
35	G11/4A	30	49	48.0	17.5	20	39.0	50	50	276	GE35LR	160	160	160	100	
35	G1/2A	14	26	42.0	17.5	14	39.0	46	50	194	GE35LR1/2	160	160	160	100	
35	G3/4A	18	32	44.0	17.5	16	39.0	46	50	202	GE35LR3/4	160	160	160	100	
35	G1A	23	39	46.0	17.5	18	39.0	46	50	234	GE35LR1	160	160	160	100	
35	G11/2A	30	55	52.0	19.5	22	41.0	55	50	355	GE35LR11/2	160	160	160	100	
42	G11/2A	36	55	52.0	19.0	22	42.0	55	60	349	GE42LR	160	160	160	100	
42	G1A	23	39	48.0	19.0	18	42.0	55	60	327	GE42LR1	160	160	160	100	
42	G11/4A	30	49	50.0	19.0	20	42.0	55	60	336	GE42LR11/4	160	160	160	100	

¹⁾ Pressure shown = item deliverable

³⁾ L = light series

$$\frac{\text{PN (bar)}}{10} = \text{PN (MPa)}$$

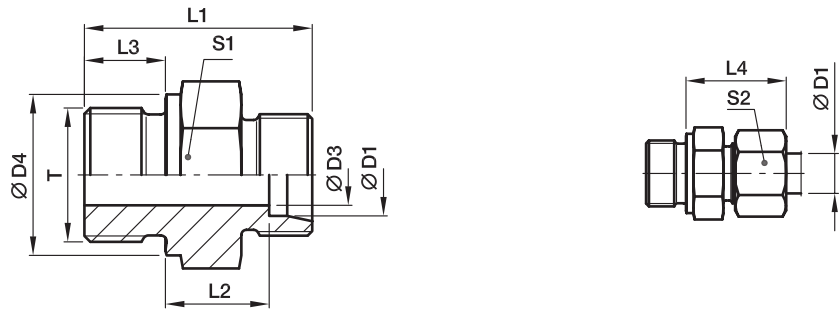
Delivery without nut and ring. Information on ordering complete fittings see page I7.

*Please add the **suffixes** below according to the material/surface required.

Order code suffixes		
Material	Suffix surface and material	Example
Steel, zinc plated, chrome ⁶ -free	CFX	GE18LRRCFX
Steel, zinc yellow plated	A3CX	GE18LRA3CX
Stainless Steel	71X	GE18LR71X
Brass	MSX	GE18LRMSX

GE-R Male stud connector

Male BSPP thread – metal sealing edge (ISO 1179) / EO 24° cone end



Series	D1	T	D3	D4	L1	L2	L3	L4	S1	S2	Weight g/1 piece	Order code*	PN (bar) ¹⁾			
													CF	A3C	71	MS
S ⁴⁾	06	G1/4A	4	18	32.0	13.0	12	28	19	17	35	GE06SR	400	400	400	250
	06	G1/8A	3	14	27.5	12.5	8	27	14	17	22	GE06SR1/8	400	400	400	
	06	G3/8A	4	22	34.5	15.5	12	30	22	17	57	GE06SR3/8	400	400	400	
	06	G1/2A	4	26	39.0	18.0	14	33	27	17	83	GE06SR1/2	400	400	400	250
	08	G1/4A	5	18	34.0	15.0	12	30	19	19	41	GE08SR	400	400	400	
	08	G3/8A	5	22	34.5	15.5	12	30	22	19	59	GE08SR3/8	400	400	400	
	08	G1/2A	5	26	39.0	18.0	14	33	27	19	100	GE08SR1/2	400	400	400	250
	10	G3/8A	7	22	34.5	15.0	12	31	22	22	56	GE10SR	400	400	400	
	10	G1/4A	5	18	34.0	14.5	12	31	19	22	43	GE10SR1/4	400	400	400	
	10	G1/2A	7	26	39.0	17.5	14	34	27	22	97	GE10SR1/2	400	400	400	250
	12	G3/8A	8	22	36.5	17.0	12	33	22	24	62	GE12SR	400	400	400	
	12	G1/4A	5	18	36.0	16.5	12	33	22	24	57	GE12SR1/4	400	400	400	
	12	G1/2A	8	26	39.0	17.5	14	34	27	24	57	GE12SR1/2	400	400	400	250
	14	G1/2A	10	26	41.0	19.0	14	37	27	27	96	GE14SR	400	400	400	
	14	G3/8A	8	22	38.5	18.5	12	36	24	27	74	GE14SR3/8	400	400	400	
	16	G1/2A	12	26	41.0	18.5	14	37	27	30	92	GE16SR	400	400	400	250
	16	G3/8A	8	22	38.5	18.0	12	36	27	30	83	GE16SR3/8	400	400	400	
	16	G3/4A	12	32	45.0	20.5	16	39	32	30	157	GE16SR3/4	400	400	400	
	20	G3/4A	16	32	47.0	20.5	16	42	32	36	151	GE20SR	400	400	400	250
	20	G1/2A	12	26	45.0	20.5	14	42	32	36	142	GE20SR1/2	400	400	400	
	20	G1A	16	39	51.0	22.5	18	44	41	36	273	GE20SR1	250	250	250	
	20	G11/4A	16	49	53.0	22.5	20	44	50	36	387	GE20SR11/4	160	160	160	160
	25	G1A	20	39	53.0	23.0	18	47	41	46	267	GE25SR	250	250	250	
	25	G3/4A	16	32	51.0	23.0	16	47	41	46	245	GE25SR3/4	250	250	250	
25	G11/4A	20	49	55.0	23.0	20	47	50	46	422	GE25SR11/4	160	160	160	100	
30	G11/4A	25	49	57.0	23.5	20	50	50	50	422	GE30SR	160	160	160		
30	G1A	20	39	55.0	23.5	18	50	46	50	337	GE30SR1	160	160	160		
38	G11/2A	32	55	64.0	26.0	22	57	55	60	560	GE38SR	160	160	160	100	
38	G11/4A	25	49	62.0	26.0	20	57	55	60	578	GE38SR11/4	160	160	160		

1) Pressure shown = item deliverable

4) S = heavy series

$$\frac{PN \text{ (bar)}}{10} = PN \text{ (MPa)}$$

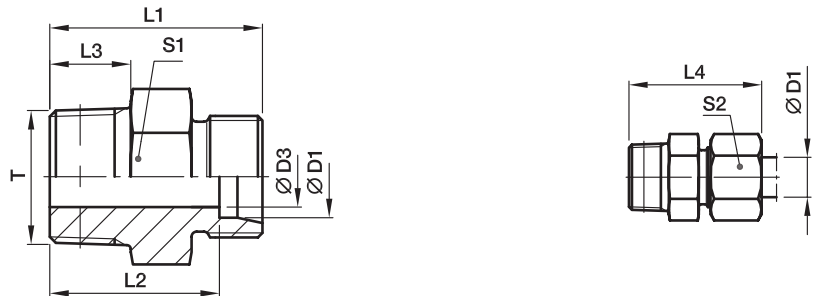
Delivery without nut and ring. Information on ordering complete fittings see page I7.

*Please add the **suffixes** below according to the material/surface required.

Order code suffixes		
Material	Suffix surface and material	Example
Steel, zinc plated, chrome ⁶ -free	CFX	GE16SRCFX
Steel, zinc yellow plated	A3CX	GE16SRA3CX
Stainless Steel	71X	GE16SR71X
Brass	MSX	GE16SRMSX

GE-R(KEG) Male stud connector

Male short BSP taper thread (DIN 3852-2, type C) / EO 24° cone end



Series	D1	T	D3	L1	L2	L3	L4	S1	S2	Weight g/1 piece	Order code*	PN (bar) ¹⁾			
												CF	A3C	71	MS
LL ²⁾	04	R1/8tap.	3.0	20	16.0	8	26	11	10	8	GE04LLR	100	100	100	63
	06	R1/8tap.	4.5	20	14.5	8	26	11	12	8	GE06LLR	100	100	100	63
	08	R1/8tap.	6.0	22	16.5	8	28	12	14	10	GE08LLR	100	100	100	63
	08	R1/4tap.	6.0	26	20.5	12	32	14	14	18	GE08LLR1/4	100	100	100	63
	10	R1/4tap.	8.0	26	20.5	12	32	14	17	15	GE10LLR	100	100		63
	12	R1/4tap.	8.0	26	20.0	12	32	17	19	18	GE12LLR	100	100		63
	12	R3/8tap.	10.0	26	20.0	12	32	17	19	23	GE12LLR3/8	100	100		63
	L ³⁾	06	R1/8tap.	4.0	22	15.0	8	30	12	14	11	GE06LR1/8KEG	315	315	315
06		R1/4tap.	4.0	27	20.0	12	35	17	14	24	GE06LR1/4KEG	315	315	315	200
08		R1/8tap.	4.0	23	16.0	8	31	17	17	15	GE08LR1/8KEG	315	315	315	200
08		R1/4tap.	6.0	27	20.0	12	35	17	17	22	GE08LR1/4KEG	315	315	315	
10		R1/4tap.	7.0	28	21.0	12	36	17	19	24	GE10LR1/4KEG	315	315	315	
12		R1/4tap.	7.0	29	22.0	12	37	19	22	53	GE12LR1/4KEG	315	315	315	200
12		R3/8tap.	9.0	29	22.0	12	37	19	22	33	GE12LR3/8KEG	315	315	315	
12		R1/2tap.	10.0	31	24.0	14	39	24	22	53	GE12LR1/2KEG	315	315	315	
15		R3/8tap.	9.0	30	23.0	12	38	24	27	49	GE15LR3/8KEG	315	315	315	200
15		R1/2tap.	11.0	32	25.0	14	40	24	27	59	GE15LR1/2KEG	315	315	315	
18		R1/2tap.	14.0	33	25.5	14	42	27	32	64	GE18LR1/2KEG	315	315	315	
22		R3/4tap.	17.0	37	29.5	16	46	32	36	99	GE22LR3/4KEG	160	160	160	
28		R1tap.	23.0	40	32.5	18	49	41	41	154	GE28LR1KEG	160	160	160	
35		R1 1/4tap.	30.0	45	34.5	20	56	46	50	238	GE35LR11/4KEG	160	160	160	
42	R1 1/2tap.	36.0	49	38.0	22	61	55	60	335	GE42LR11/2KEG	160	160	160		

¹⁾ Pressure shown = item deliverable

²⁾ LL = very light series; ³⁾ L = light series

$$\frac{\text{PN (bar)}}{10} = \text{PN (MPa)}$$

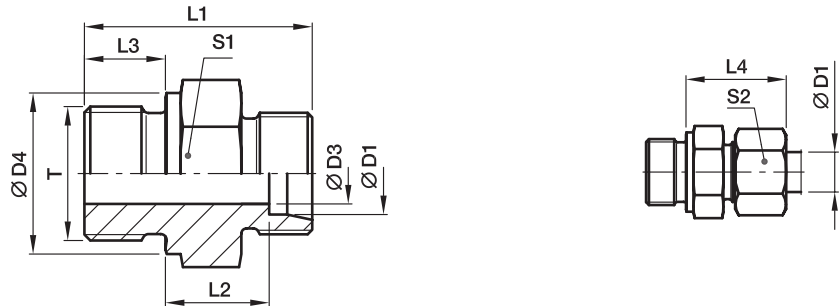
Delivery without nut and ring. Information on ordering complete fittings see page 17.

*Please add the **suffixes** below according to the material/surface required.

Order code suffixes		
Material	Suffix surface and material	Example
Steel, zinc plated, chrome ⁶ -free	CFX	GE06LR1/4KEGCFX
Steel, zinc yellow plated	A3CX	GE06LR1/4KEGA3CX
Stainless Steel	71X	GE06LR1/4KEG71X
Brass	MSX	GE06LR1/4KEGMSX

GE-M Male stud connector

Male metric thread – metal sealing edge (ISO 9974) / EO 24° cone end



Series	D1	T	D3	D4	L1	L2	L3	L4	S1	S2	Weight g/1 piece	Order code*	PN (bar) ¹⁾			
													CF	A3C	71	MS
L ³⁾	06	M10×1	4	14	23.5	8.5	8	23	14	14	13	GE06LM	315	315	315	200
	08	M12×1.5	6	17	29.0	10.0	12	25	17	17	22	GE08LM	315	315	315	200
	10	M14×1.5	7	19	30.0	11.0	12	26	19	19	31	GE10LM	315	315	315	200
	10	M10×1	4	14	25.5	10.5	8	25	17	19	20	GE10LM10X1	315	315	315	
	10	M12×1.5	6	17	30.0	11.0	12	26	17	19	25	GE10LM12X1.5	315	315	315	
	10	M16×1.5	8	21	31.5	12.0	12	27	22	19	41	GE10LM16X1.5	315	315	315	
	10	M18×1.5	8	23	31.5	12.5	12	27	24	19	50	GE10LM18X1.5	315	315	315	
	10	M22×1.5	8	27	35.0	14.0	14	29	27	19	72	GE10LM22X1.5	315	315	315	
	12	M14×1.5	7	19	30.0	11.0	12	26	19	22	30	GE12LM14X1.5	315	315	315	
	12	M16×1.5	9	21	31.5	12.5	12	27	22	22	40	GE12LMA3C	315	315	315	
	12	M18×1.5	10	23	31.5	12.5	12	27	24	22	47	GE12LM18X1.5	315	315	315	
	12	M22×1.5	10	27	31.5	14.0	14	29	27	22	76	GE12LM22X1.5	315	315	315	
	15	M16×1.5	9	21	32.0	13.0	12	28	24	27	50	GE15LM16X1.5	250	250	250	
	15	M18×1.5	11	23	32.5	13.5	12	29	24	27	52	GE15LM	250	250	250	160
	15	M22×1.5	12	27	36.0	15.0	14	30	27	27	77	GE15LM22X1.5	250	250	250	
	18	M18×1.5	11	23	33.5	14.0	12	30	27	32	68	GE18LM18X1.5	250	250	250	
	18	M22×1.5	14	27	36.0	14.5	14	31	27	32	77	GE18LM	250	250	250	160
	22	M22×1.5	14	27	38.0	16.5	14	33	32	36	92	GE22LM22X1.5	160	160	160	
22	M26×1.5	18	31	40.0	16.5	16	33	32	36	102	GE22LM	160	160	160	100	
28	M33×2	23	39	43.0	17.5	18	34	41	41	168	GE28LM	160	160	160	100	
35	M42×2	30	49	48.0	17.5	20	39	50	50	280	GE35LM	160	160	160	100	
42	M48×2	36	55	52.0	19.0	22	42	55	60	354	GE42LM	160	160	160	100	
S ⁴⁾	06	M12×1.5	4	17	32.0	13.0	12	28	17	17	30	GE06SM	400	400	400	250
	06	M14×1.5	4	19	34.0	15.0	12	30	19	17	42	GE06SM14X1.5	400	400	400	
	08	M14×1.5	5	19	34.0	15.0	12	30	19	19	43	GE08SM	400	400	400	250
	10	M16×1.5	7	21	34.5	15.0	12	31	22	22	54	GE10SM	400	400	400	250
	12	M18×1.5	8	23	36.5	17.0	12	33	24	24	72	GE12SM	400	400	400	250
	12	M14×1.5	5	19	36.0	16.5	12	33	22	24	60	GE12SM14X1.5	400	400	400	
	12	M22×1.5	8	27	39.0	17.5	14	34	27	24	103	GE12SM22X1.5	400	400	400	
	14	M20×1.5	10	25	41.0	19.0	14	37	27	27	95	GE14SM	400	400	400	250
	16	M18×1.5	8	23	38.5	18.0	12	36	27	30	88	GE16SM18X1.5	400	400	400	
	16	M22×1.5	12	27	41.0	18.5	14	37	27	30	97	GE16SM	400	400	400	250
	20	M27×2	16	32	47.0	20.5	16	42	32	36	155	GE20SM	400	400	400	250
	25	M33×2	20	39	53.0	23.0	18	47	41	46	268	GE25SM	250	250	250	160
	30	M42×2	25	49	57.0	23.5	20	50	50	50	421	GE30SM	160	160	160	100
	38	M48×2	32	55	64.0	26.0	22	57	55	60	568	GE38SM	160	160	160	100

¹⁾ Pressure shown = item deliverable

³⁾ L = light series; ⁴⁾ S = heavy series

$$\frac{\text{PN (bar)}}{10} = \text{PN (MPa)}$$

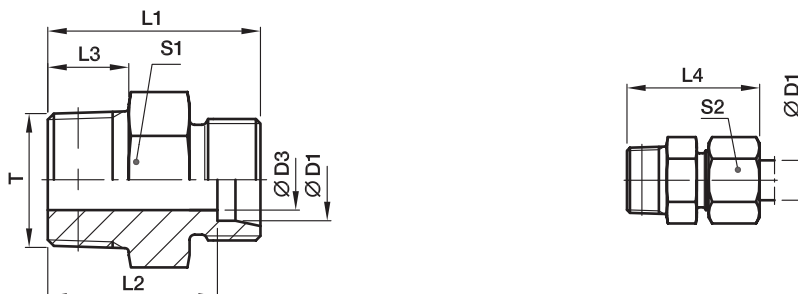
Delivery without nut and ring. Information on ordering complete fittings see page I7.

*Please add the **suffixes** below according to the material/surface required.

Order code suffixes		
Material	Suffix surface and material	Example
Steel, zinc plated, chrome ⁶ -free	CFX	GE16SMCFX
Steel, zinc yellow plated	A3CX	GE16SMA3CX
Stainless Steel	71X	GE16SM71X
Brass	MSX	GE16SMMSX

GE-M(KEG) Male stud connector

Male short metric taper thread (DIN 3852-1, type C) / EO 24° cone end



Series	D1	T	D3	L1	L2	L3	L4	S1	S2	Weight g/1 piece	Order code*	PN (bar) ¹⁾			
												CF	A3C	71	MS
LL ²⁾	04	M6×1tap.	2.0	20	16.0	8	26	9	10	5	GE04LLM6X1KEG	100	100		
	04	M8×1tap.	3.0	20	16.0	8	26	10	10	7	GE04LLM	100	100	100	63
	06	M10×1tap.	4.5	20	14.5	8	26	11	12	9	GE06LLM	100	100	100	63
	06	M8×1tap.	3.5	20	14.5	8	26	11	12	9	GE06LLM8X1KEG	100	100		
	08	M10×1tap.	6.0	22	16.5	8	28	12	14	10	GE08LLM	100	100	100	63

¹⁾ Pressure shown = item deliverable

²⁾ LL = very light series

$$\frac{\text{PN (bar)}}{10} = \text{PN (MPa)}$$

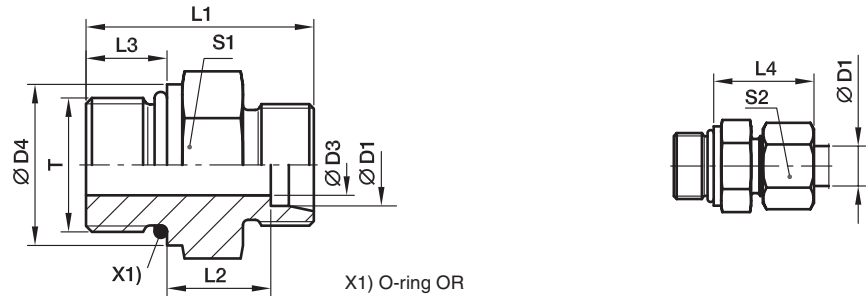
Delivery without nut and ring. Information on ordering complete fittings see page 17.

Order code suffixes		
Material	Suffix surface and material	Example
Steel, zinc plated, chrome ⁶ -free	CFX	GE06LLMCFX
Steel, zinc yellow plated	A3CX	GE06LLMA3CX
Stainless Steel	71X	GE06LLM71X
Brass	MSX	GE06LLMMSX

*Please add the **suffixes** below according to the material/surface required.

GE-UNF/UN Male stud connector

Male UNF/UN thread – O-ring (ISO 11926) / EO 24° cone end



Series	D1	T	D3	D4	L1	L2	L3	L4	S1	S2	Weight g/1 piece	Order code*	PN (bar) ¹⁾		
													CF	A3C	71
L ³⁾	08	7/16-20UNF-2A	5.0	14.4	26	10.0	9.0	25	17	17	21	GE08L7/16UNFOMD	315	315	315
	10	7/16-20UNF-2A	5.0	14.4	27	11.0	10.0	26	17	19	23	GE10L7/16UNFOMD	315	315	315
	12	9/16-18UNF-2A	7.0	17.6	28	11.0	10.0	26	19	22	32	GE12L9/16UNFOMD	315	315	315
	12	3/4-16UNF-2A	10.0	22.3	31	13.0	11.0	28	24	22	52	GE12L3/4UNFOMD	315	315	315
	12	7/8-14UNF-2A	10.0	25.5	34	14.3	12.7	29	27	22	77	GE12L7/8UNFOMD	315	315	315
	15	3/4-16UNF-2A	11.0	22.3	32	14.0	11.0	29	24	27	57	GE15L3/4UNFOMD	315	315	315
	15	7/8-14UNF-2A	12.0	25.5	35	15.3	12.7	30	27	27	81	GE15L7/8UNFOMD	315	315	315
	18	3/4-16UNF-2A	11.0	22.3	33	14.5	11.0	31	27	32	68	GE18L3/4UNFOMD	315	315	315
	18	7/8-14UNF-2A	14.0	25.5	35	14.8	12.7	31	27	32	72	GE18L7/8UNFOMD	315	315	315
	22	7/8-14UNF-2A	14.0	25.5	37	16.8	12.7	33	32	36	94	GE22L7/8UNFOMD	160	160	160
	22	11/16-12UN-2A	18.0	31.9	39	16.5	15.0	33	32	36	103	GE22L11/16UNOMD	160	160	160
	22	15/16-12UN-2A	19.0	38.2	40	17.5	15.0	34	41	36	163	GE22L15/16UNOMD	160	160	160
	28	11/16-12UN-2A	18.0	31.9	40	17.5	15.0	34	41	41	152	GE28L11/16UNOMD	160	160	160
	28	15/16-12UN-2A	23.0	38.2	40	17.5	15.0	34	41	41	163	GE28L15/16UNOMD	160	160	160
35	15/16-12UN-2A	23.0	38.2	43	17.5	15.0	39	46	50	222	GE35L15/16UNOMD	160	160	160	
35	15/8-12UN-2A	29.0	47.7	43	17.5	15.0	39	50	50	257	GE35L15/8UNOMD	160	160	160	
42	15/8-12UN-2A	29.0	47.7	45	19.0	15.0	42	55	60	339	GE42L15/8UNOMD	160	160	160	
S ⁴⁾	08	7/16-20UNF-2A	4.0	16.0	31	15.0	9.0	30	17	19	33	GE08S7/16UNFOMD	630	630	630
	10	9/16-18UNF-2A	6.0	17.6	32	14.5	10.0	31	19	22	42	GE10S9/16UNFOMD	630	630	630
	12	9/16-18UNF-2A	6.0	17.6	32	14.5	10.0	31	22	24	50	GE12S9/16UNFOMD	630	630	630
	12	3/4-16UNF-2A	8.0	22.3	36	17.5	11.0	34	24	24	73	GE12S3/4UNFOMD	630	630	630
	16	3/4-16UNF-2A	10.5	22.3	35	15.5	11.0	34	24	30	90	GE16S3/4UNFOMD	400	400	400
	16	7/8-14UNF-2A	12.0	25.5	40	18.8	12.7	37	27	30	95	GE16S7/8UNFOMD	400	400	400
	20	3/4-16UNF-2A	10.0	22.3	42	20.5	11.0	42	32	36	132	GE20S3/4UNFOMD	400	400	400
	20	7/8-14UNF-2A	12.0	25.5	44	20.8	12.7	42	32	36	141	GE20S7/8UNFOMD	400	400	400
	20	11/16-12UN-2A	16.0	31.9	46	20.5	15.0	42	32	36	163	GE20S11/16UNOMD	400	400	400
	25	11/16-12UN-2A	16.0	31.9	50	23.0	15.0	47	36	46	206	GE25S11/16UNOMD	400	400	400
	25	15/16-12UN-2A	20.0	38.2	50	23.0	15.0	47	41	46	258	GE25S15/16UNOMD	400	400	400
	30	15/16-12UN-2A	20.0	38.2	52	23.5	15.0	50	46	50	327	GE30S15/16UNOMD	400	400	400
	30	15/8-12UN-2A	24.0	47.7	52	23.5	15.0	50	50	50	422	GE30S15/8UNOMD	400	400	400
	38	15/8-12UN-2A	24.0	47.7	57	26.0	15.0	57	55	60	554	GE38S15/8UNOMD	315	315	315

¹⁾ Pressure shown = item deliverable

³⁾ L = light series; ⁴⁾ S = heavy series

$$\frac{\text{PN (bar)}}{10} = \text{PN (MPa)}$$

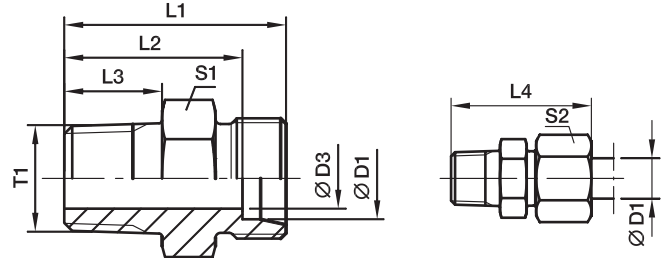
Delivery without nut and ring. Information on ordering complete fittings or alternative sealing materials see page 17.

*Please add the **suffixes** below according to the material/surface required.

Order code suffixes			
Material	Suffix surface and material	Example	Standard sealing material (no additional suffix needed)
Steel, zinc plated, chrome ⁶⁾ -free	CF	GE16S3/4UNFOMDCF	NBR
Steel, zinc yellow plated	A3C	GE16S3/4UNFOMDA3C	NBR
Stainless Steel	71	GE16S3/4UNFOMD71	VIT

GE-NPT Male stud connector

Male NPT thread (SAE J476) / EO 24° cone end



Series	D1	T1	D3	L1	L2	L3	L4	S1	S2	Weight g/1 piece	Order code*	PN (bar) ¹⁾			
												CF	A3C	71	MS
LL ²⁾	04	1/8-27 NPT	3.0	22.0	18.0	10.0	28	11	10	9	GE04LL1/8NPT	100	100	100	
	06	1/8-27 NPT	4.5	22.0	16.5	10.0	28	11	12	9	GE06LL1/8NPT	100	100	100	63
	08	1/8-27 NPT	5.0	24.0	18.5	10.0	30	12	14	11	GE08LL1/8NPT	100	100	100	63
L ³⁾	06	1/8-27 NPT	4.0	24.0	17.0	10.0	32	12	14	12	GE06L1/8NPT	315	315	315	200
	06	1/4-18 NPT	4.0	30.0	23.0	14.5	38	17	14	27	GE06L1/4NPT	315	315	315	200
	06	3/8-18 NPT	4.0	30.0	23.0	14.5	38	19	14	32	GE06L3/8NPT	315	315	315	
	06	1/2-14 NPT	4.0	36.0	29.0	19.5	44	22	14	53	GE06L1/2NPT	315	315	315	
	08	1/8-27 NPT	4.0	25.0	18.0	10.0	33	14	17	16	GE08L1/8NPT	315	315	315	
	08	1/4-18 NPT	6.0	30.0	23.0	14.5	38	17	17	25	GE08L1/4NPT	315	315	315	200
	08	3/8-18 NPT	6.0	30.0	23.0	14.5	38	19	17	34	GE08L3/8NPT	315	315	315	
	08	1/2-14 NPT	6.0	36.0	29.0	19.5	44	22	17	54	GE08L1/2NPT	315	315	315	
	10	1/8-27 NPT	4.0	25.0	18.0	10.0	33	17	19	19	GE10L1/8NPT	315	315	315	
	10	1/4-18 NPT	7.0	31.0	24.0	14.5	39	17	19	25	GE10L1/4NPT	315	315	315	200
	10	3/8-18 NPT	7.0	32.0	25.0	14.5	40	19	19	40	GE10L3/8NPT	315	315	315	
	10	1/2-14 NPT	8.0	37.0	30.0	19.5	45	22	19	54	GE10L1/2NPT	315	315	315	
	10	3/4-14 NPT	8.0	38.0	31.0	19.5	46	30	19	93	GE10L3/4NPT	315	315	315	
	12	1/8-27NPT	4.0	26.0	19.0	10.0	34	19	22	52	GE12L1/8NPT	315	315	315	
	12	1/4-18 NPT	7.0	32.0	25.0	14.5	40	19	22	31	GE12L1/4NPT	315	315	315	200
	12	3/8-18 NPT	8.0	32.0	25.0	14.5	40	19	22	37	GE12L3/8NPT	315	315	315	200
	12	1/2-14 NPT	10.0	37.0	30.0	19.5	45	22	22	62	GE12L1/2NPT	315	315	315	200
	15	3/8-18 NPT	8.0	33.0	26.0	14.5	41	24	27	53	GE15L3/8NPT	315	315	315	
	15	1/2-14 NPT	12.0	38.0	31.0	19.5	46	24	27	63	GE15L1/2NPT	315	315	315	200
	15	3/4-14 NPT	12.0	39.0	32.0	19.5	47	30	27	112	GE15L3/4NPT	315	315	315	
	15	1-11 1/2 NPT	12.0	45.0	38.0	24.5	53	36	27	158	GE15L1NPT	315	315	315	
	18	3/8-18 NPT	8.0	34.0	26.5	14.5	43	27	32	69	GE18L3/8NPT	315	315	315	
	18	1/2-14 NPT	12.0	39.0	31.5	19.5	48	27	32	79	GE18L1/2NPT	315	315	315	200
	18	3/4-14 NPT	15.0	39.0	31.5	19.5	48	30	32	104	GE18L3/4NPT	315	315	315	
	18	1-11 1/2 NPT	15.0	45.0	37.5	24.5	54	36	32	159	GE18L1NPT	315	315	315	
	22	3/8-18 NPT	8.0	36.5	29.0	14.5	45	32	36	91	GE22L3/8NPT	160	160	160	
	22	1/2-14 NPT	12.0	41.0	33.5	19.5	50	32	36	96	GE22L1/2NPT	160	160	160	
	22	3/4-14 NPT	16.0	41.0	33.5	19.5	50	32	36	108	GE22L3/4NPT	160	160	160	100
	22	1-11 1/2 NPT	19.0	47.0	39.5	24.5	56	36	36	174	GE22L1NPT	160	160	160	
	28	3/4-14 NPT	16.0	42.0	34.5	19.5	51	41	41	157	GE28L3/4NPT	160	160	160	
	28	1-11 1/2 NPT	21.0	47.0	39.5	24.5	56	41	41	197	GE28L1NPT	160	160	160	100
	28	11/4-1 11/2 NPT	24.0	49.0	41.5	25.0	48	46	41	266	GE28L11/4NPT	160	160	160	
	35	1-11 1/2NPT	22.0	50.0	39.5	24.5	61	46	50	280	GE35L1NPT	160	160	160	
	35	11/4-11 1/2 NPT	28.0	51.0	40.5	25.0	62	46	50	285	GE35L11/4NPT	160	160	160	
	42	11/4- 11 1/2 NPT	28.0	53.0	42.0	25.0	65	55	60	382	GE42L11/4NPT	160	160	160	
	42	11/2-11 1/2 NPT	36.0	53.0	42.0	26.0	65	55	60	377	GE42L11/2NPT	160	160	160	

¹⁾ Pressure shown = item deliverable

²⁾ LL = very light series; ³⁾ L = light series

$$\frac{\text{PN (bar)}}{10} = \text{PN (MPa)}$$

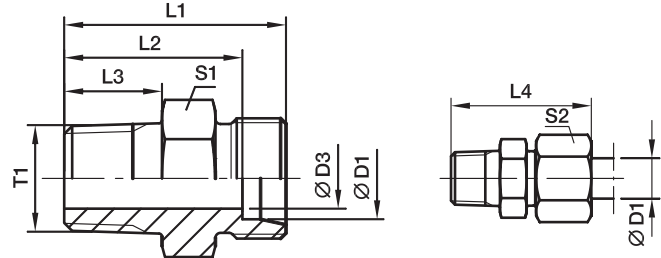
Delivery without nut and ring. Information on ordering complete fittings see page I7.

*Please add the **suffixes** below according to the material/surface required.

Order code suffixes		
Material	Suffix surface and material	Example
Steel, zinc plated, chrome ⁶ -free	CFX	GE18L1/2NPTCFX
Steel, zinc yellow plated	A3CX	GE18L1/2NPTA3CX
Stainless Steel	71X	GE18L1/2NPT71X
Brass	MSX	GE18L1/2NPTMSX

GE-NPT Male stud connector

Male NPT thread (SAE J476) / EO 24° cone end



Series	D1	T1	D3	L1	L2	L3	L4	S1	S2	Weight g/1 piece	Order code*	PN (bar) ¹⁾			
												CF	A3C	71	MS
S ⁴⁾	06	1/8-27 NPT	4	28	21.0	10.0	36	14	17	21	GE06S1/8NPT	630	630	630	
	06	1/4-18 NPT	4	35	28.0	14.5	43	17	17	37	GE06S1/4NPT	630	630	630	400
	06	3/8-18 NPT	4	33	26.0	14.5	41	19	17	40	GE06S3/8NPT	630	630	630	
	06	1/2-14 NPT	4	42	35.0	19.5	50	22	17	71	GE06S1/2NPT	630	630	630	
	08	1/4-18 NPT	5	35	28.0	14.5	43	17	19	38	GE08S1/4NPT	630	630	630	400
	08	3/8-18 NPT	5	35	28.0	14.5	43	19	19	46	GE08S3/8NPT	630	630	630	
	08	1/2-14 NPT	5	42	35.0	19.5	50	22	19	73	GE08S1/2NPT	630	630	630	400
	10	1/4-18 NPT	5	35	27.5	14.5	44	19	22	45	GE10S1/4NPT	630	630	630	
	10	3/8-18 NPT	7	35	27.5	14.5	44	19	22	49	GE10S3/8NPT	630	630	630	400
	10	1/2-14 NPT	7	42	34.5	19.5	51	22	22	73	GE10S1/2NPT	630	630	630	400
	10	3/4-14 NPT	7	44	36.5	19.5	53	30	22	125	GE10S3/4NPT	630	630	630	
	12	1/4-18 NPT	5	37	29.5	14.5	46	22	24	57	GE12S1/4NPT	630	630	630	
	12	3/8-18 NPT	8	37	29.5	14.5	46	22	24	62	GE12S3/8NPT	630	630	630	400
	12	1/2-14 NPT	8	42	34.5	19.5	51	22	24	83	GE12S1/2NPT	630	630	630	400
	12	3/4-14 NPT	8	44	36.5	19.5	53	30	24	126	GE12S3/4NPT	630	630	630	
	14	3/8-18 NPT	8	39	31.0	14.5	49	24	27	77	GE14S3/8NPT	630	630	630	
	14	1/2-14 NPT	10	44	36.0	19.5	54	24	27	89	GE14S1/2NPT	630	630	630	400
	14	3/4-14 NPT	10	46	38.0	19.5	56	30	27	130	GE14S3/4NPT	630	630	630	
	14	1-11 1/2 NPT	10	51	43.0	24.5	61	36	27	180	GE14S1NPT	630	630	630	
	16	3/8-18 NPT	8	39	30.5	14.5	49	27	30	84	GE16S3/8NPT	400	400	400	
16	1/2-14 NPT	12	48	39.5	19.5	58	32	30	97	GE16S1/2NPT	400	400	400	250	
16	3/4-14 NPT	12	46	37.5	19.5	56	30	30	130	GE16S3/4NPT	400	400	400		
16	1-11 1/2 NPT	12	51	42.5	24.5	61	36	30	178	GE16S1NPT	400	400	400		
20	1/2-14 NPT	12	48	37.5	19.5	59	32	36	144	GE20S1/2NPT	400	400	400		
20	3/4-14 NPT	16	48	37.5	19.5	59	32	36	149	GE20S3/4NPT	400	400	400	250	
20	1-11 1/2 NPT	16	55	44.5	24.5	66	36	36	243	GE20S1NPT	400	400	400		
25	3/4-14 NPT	16	52	40.0	19.5	64	41	46	240	GE25S3/4NPT	400	400	400		
25	1-11 1/2 NPT	20	57	45.0	24.5	69	41	46	278	GE25S1NPT	400	400	400		
25	11/4-11 1/2 NPT	20	58	46.0	25.0	70	46	46	396	GE25S11/4NPT	400	400	400		
25	11/2-11 1/2 NPT	20	61	49.0	26.0	73	50	46	469	GE25S11/2NPT	400	400	400		
30	3/4-14 NPT	16	54	40.5	19.5	67	46	50	307	GE30S3/4NPT	400	400	400		
30	1-11 1/2 NPT	20	59	45.5	24.5	72	46	50	343	GE30S1NPT	400	400	400		
30	11/4-11 1/2 NPT	25	60	46.5	25.0	73	46	50	397	GE30S11/4NPT	400	400	400		
30	11/2-11 1/2 NPT	25	60	46.5	26.0	73	50	50	440	GE30S11/2NPT	400	400	400		
38	1-11 1/2 NPT	22	64	48.0	24.5	79	55	60	510	GE38S1NPT	315	315	315		
38	11/4-11 1/2 NPT	25	65	49.0	25.0	80	55	60	535	GE38S11/4NPT	315	315	315		
38	11/2-11 1/2 NPT	32	65	49.0	26.0	80	55	60	571	GE38S11/2NPT	315	315	315		

¹⁾ Pressure shown = item deliverable

⁴⁾ S = heavy series

$$\frac{\text{PN (bar)}}{10} = \text{PN (MPa)}$$

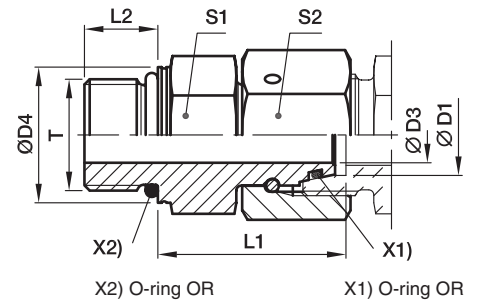
Delivery without nut and ring. Information on ordering complete fittings see page I7.

*Please add the **suffixes** below according to the material/surface required.

Order code suffixes		
Material	Suffix surface and material	Example
Steel, zinc plated, chrome ⁶ -free	CFX	GE16S1/2NPTCFX
Steel, zinc yellow plated	A3CX	GE16S1/2NPTA3CX
Stainless Steel	71X	GE16S1/2NPT71X
Brass	MSX	GE16S1/2NPTMSX

EGEO Swivel connector

Male metric thread – O-ring (ISO 6149) / EO 24° DKO swivel



X2) O-ring OR

X1) O-ring OR

Series	D1 	T	D3	D4	L1	L2	S1	S2	Weight g/1 piece	Order code*	PN (bar) ¹⁾	
											CF	A3C
L ³⁾	06	M 10×1	2.5	13.8	24.5	8.5	14	14	29	EGEO06LM	500	315
	08	M 12×1.5	4.0	16.8	26.5	11.0	17	17	43	EGEO08LM	500	315
	10	M 14×1.5	6.0	18.8	27.5	11.0	19	19	57	EGEO10LM	500	315
	12	M 16×1.5	8.0	21.8	30.5	11.5	22	22	85	EGEO12LM	400	315
	15	M 18×1.5	10.0	23.8	31.5	12.5	24	27	115	EGEO15LM	400	315
	18	M 22×1.5	13.0	26.8	31.5	13.0	27	32	152	EGEO18LM	400	315
	22	M 27×2	17.0	31.8	32.5	16.0	32	36	207	EGEO22LM27X2	250	160
	28	M 33×2	22.0	40.8	35.0	16.0	41	41	294	EGEO28LM	250	160
	35	M 42×2	28.0	49.8	42.5	16.0	50	50	516	EGEO35LM	250	160
	42	M 48×2	34.0	54.8	46.5	17.5	55	60	718	EGEO42LM	250	160
S ⁴⁾	06	M 12×1.5	2.5	16.8	27.0	11.0	17	17	49	EGEO06SM	800	630
	08	M 14×1.5	4.0	18.8	29.5	11.0	19	19	69	EGEO08SM	800	630
	10	M 16×1.5	6.0	21.8	32.0	12.5	22	22	96	EGEO10SM	800	630
	12	M 18×1.5	8.0	23.8	34.0	14.0	24	24	116	EGEO12SM	630	630
	16	M 22×1.5	11.0	26.8	37.0	15.0	27	30	179	EGEO16SM	630	400
	20	M 27×2	14.0	31.8	43.0	18.5	32	36	280	EGEO20SM	420	400
	25	M 33×2	18.0	40.8	48.0	18.5	41	46	502	EGEO25SM	420	400
	30	M 42×2	23.0	49.8	51.0	19.0	50	50	697	EGEO30SM	420	400
	38	M 48×2	30.0	54.8	60.0	21.5	55	60	965	EGEO38SM	420	315

¹⁾ Pressure shown = item deliverable

³⁾ L = light series; ⁴⁾ S = heavy series

$\frac{PN \text{ (bar)}}{10} = PN \text{ (MPa)}$

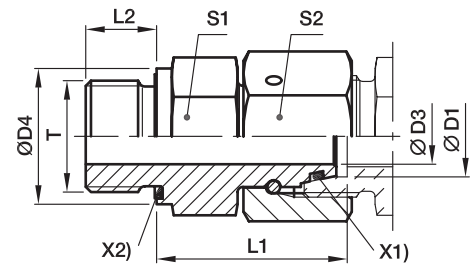
Information on ordering alternative sealing materials see page 17.

*Please add the **suffixes** below according to the material/surface required.

Order code suffixes			
Material	Suffix surface and material	Example	Standard sealing material (no additional suffix needed)
Steel, zinc plated, chrome ⁶⁾ -free	CF	EGEO16SMCF	NBR
Steel, zinc yellow plated	A3C	EGEO16SMA3C	NBR

EGE-M-ED Swivel connector

Male metric thread – ED-seal (ISO 9974) / EO 24° DKO swivel



X2) Eolastic-sealing ED X1) O-ring OR

Series	D1	T	D3	D4	L1	L2	S1	S2	Weight g/1 piece	Order code*	PN (bar) ¹⁾		
											CF	A3C	71
L ³⁾	06	M 10 × 1	2.5	14	24.5	8	14	14	27	EGE06LMED	500	315	315
	08	M 12 × 1.5	4.0	17	26.5	12	17	17	45	EGE08LMED	500	315	315
	10	M 14 × 1.5	6.0	19	27.5	12	19	19	57	EGE10LMED	500	315	315
	12	M 16 × 1.5	8.0	22	30.5	12	22	22	82	EGE12LMED	400	315	315
	12	M 22 × 1.5	8.0	27	27.0	14	27	22	92	EGE12LM22X1.5ED	400	315	315
	15	M 18 × 1.5	10.0	24	31.5	12	24	27	113	EGE15LMED	400	315	315
	15	M 22 × 1.5	10.0	27	32.0	14	27	27	142	EGE15LM22X1.5ED	400	315	315
	18	M 22 × 1.5	13.0	27	31.5	14	27	32	148	EGE18LMED	400	315	315
	22	M 26 × 1.5	17.0	32	32.5	16	32	36	203	EGE22LMED	250	160	160
	28	M 33 × 2	22.0	40	35.0	18	41	41	289	EGE28LMED	250	160	160
S ⁴⁾	35	M 42 × 2	28.0	50	42.5	20	50	50	511	EGE35LMED	250	160	160
	42	M 48 × 2	34.0	55	46.5	22	55	60	711	EGE42LMED	250	160	160
	06	M 12 × 1.5	2.5	17	27.0	12	17	17	47	EGE06SMED	800	630	630
	08	M 14 × 1.5	4.0	19	29.5	12	19	19	65	EGE08SMED	800	630	630
	10	M 16 × 1.5	6.0	22	32.0	12	22	22	91	EGE10SMED	800	630	630
	12	M 18 × 1.5	8.0	24	34.0	12	24	24	112	EGE12SMED	630	630	630
	14	M 20 × 1.5	9.0	26	36.5	14	27	27	153	EGE14SMED	630	630	630
	16	M 22 × 1.5	11.0	27	37.0	14	27	30	174	EGE16SMED	630	400	400
	20	M 27 × 2	14.0	32	43.0	16	32	36	274	EGE20SMED	420	400	400
	25	M 33 × 2	18.0	40	48.0	18	41	46	497	EGE25SMED	420	400	400
30	M 42 × 2	23.0	50	51.0	20	50	50	691	EGE30SMED	420	400	400	
38	M 48 × 2	30.0	55	60.0	22	55	60	957	EGE38SMED	420	315	315	

¹⁾ Pressure shown = item deliverable

³⁾ L = light series; ⁴⁾ S = heavy series

$$\frac{\text{PN (bar)}}{10} = \text{PN (MPa)}$$

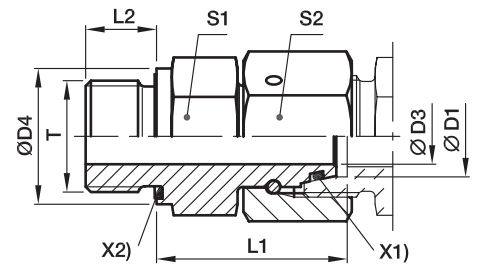
Information on ordering alternative sealing materials see page 17.

*Please add the **suffixes** below according to the material/surface required.

Order code suffixes			
Material	Suffix surface and material	Example	Standard sealing material (no additional suffix needed)
Steel, zinc plated, chrome ⁶⁾ -free	CF	EGE16SMEDCF	NBR
Steel, zinc yellow plated	A3C	EGE16SMEDA3C	NBR
Stainless Steel	71	EGE16SMED71	VIT

EGE-R-ED Swivel connector

Male BSPP thread – ED-seal (ISO 1179) / EO 24° DKO swivel



X2) Eolastic-sealing ED X1) O-ring OR

Series	D1	T	D3	D4	L1	L2	S1	S2	Weight g/1 piece	Order code*	PN (bar) ¹⁾		
											CF	A3C	71
L ³⁾	06	G 1/8 A	2.5	14	24.5	8	14	14	27	EGE06LRED	500	315	315
	08	G 1/4 A	4.0	19	29.5	12	19	17	28	EGE08LRED	500	315	315
	10	G 1/4 A	6.0	19	27.5	12	19	19	54	EGE10LRED	500	315	315
	10	G 3/8 A	6.0	22	29.0	12	22	19	70	EGE10LR3/8ED	400	315	
	12	G 3/8 A	8.0	22	34.0	12	22	22	95	EGE12LRED	400	315	315
	12	G 1/4 A	6.0	19	27.5	12	19	22	65	EGE12LR1/4ED	400	315	
	12	G 1/2 A	8.0	27	29.5	14	27	22	114	EGE12LR1/2ED	400	315	
	15	G 1/2 A	10.0	27	32.0	14	27	27	137	EGE15LRED	400	315	315
	18	G 1/2 A	13.0	27	31.5	14	27	32	143	EGE18LRED	400	315	315
	18	G 3/4 A	13.0	32	29.5	16	32	32	182	EGE18LR3/4ED	250	160	
	22	G 3/4 A	17.0	32	32.5	16	32	36	200	EGE22LRED	250	160	160
	28	G 1 A	22.0	40	35.0	18	41	41	289	EGE28LRED	250	160	160
	35	G 1 1/4 A	28.0	50	42.5	20	50	50	500	EGE35LRED	250	160	160
	42	G 1 1/2 A	34.0	55	46.5	22	55	60	718	EGE42LRED	250	160	160
S ⁴⁾	06	G 1/4 A	2.5	19	27.0	12	19	17	53	EGE06SRED	800	630	630
	08	G 1/4 A	4.0	19	29.5	12	19	19	64	EGE08SRED	800	630	630
	10	G 3/8 A	6.0	22	32.0	12	22	22	93	EGE10SRED	800	630	630
	12	G 3/8 A	8.0	22	34.0	12	22	24	100	EGE12SRED	630	630	630
	12	G 1/4 A	5.0	19	31.5	12	19	24	140	EGE12SR1/4ED	630	630	
	12	G 1/2 A	8.0	27	35.0	14	27	24	140	EGE12SR1/2ED	630	630	630
	14	G 1/2 A	9.0	27	36.5	14	27	27	157	EGE14SRED	630	630	630
	16	G 1/2 A	11.0	27	37.0	14	27	30	170	EGE16SRED	630	400	400
	20	G 3/4 A	14.0	32	43.0	16	32	36	273	EGE20SRED	420	400	400
	25	G 1 A	18.0	40	48.0	18	41	46	493	EGE25SRED	420	400	400
	30	G 1 1/4 A	23.0	50	51.0	20	50	50	691	EGE30SRED	420	400	
	38	G 1 1/2 A	30.0	55	60.0	22	55	60	934	EGE38SRED	420	315	315

¹⁾ Pressure shown = item deliverable

³⁾ L = light series; ⁴⁾ S = heavy series

$$\frac{\text{PN (bar)}}{10} = \text{PN (MPa)}$$

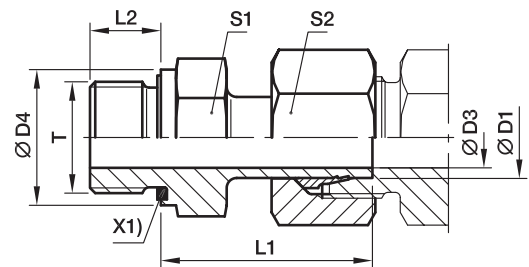
Information on ordering alternative sealing materials see page 17.

Order code suffixes			
Material	Suffix surface and material	Example	Standard sealing material (no additional suffix needed)
Steel, zinc plated, chrome ⁶⁾ -free	CF	EGE16SREDCF	NBR
Steel, zinc yellow plated	A3C	EGE16SREDA3C	NBR
Stainless Steel	71	EGE16SRED71	VIT

*Please add the **suffixes** below according to the material/surface required.

EVGE-M-ED Standpipe connector

Male metric thread – ED (ISO 9974) / EO standpipe adjustable



Pre-assembled nut and ring.

Final assembly (in appropriate body) at least 1/4 turn beyond the point of clearly perceptible resistance.

X1) Eolastic-sealing ED

Series	D1	T	D3	D4	L1	L2	S1	S2	Weight g/1 piece	Order code*	PN (bar) ¹⁾		
											CF	A3C	71
L ³⁾	06	M 10×1	3.5	14	24.5	8	14	14	24	EVGE06LMED	315	315	315
	08	M 12×1.5	5.5	17	26.5	12	17	17	38	EVGE08LMED	315	315	315
	10	M 14×1.5	7.0	19	27.5	12	19	19	49	EVGE10LMED	315	315	315
	12	M 16×1.5	9.0	22	30.0	12	22	22	67	EVGE12LMED	315	315	315
	15	M 18×1.5	11.0	24	30.5	12	24	27	95	EVGE15LMED	315	315	315
	18	M 22×1.5	14.0	27	31.5	14	27	32	137	EVGE18LMED	315	315	315
	22	M 26×1.5	18.0	32	32.5	16	32	36	183	EVGE22LMED	160	160	160
	28	M 33×2	23.0	40	35.0	18	41	41	264	EVGE28LMED	160	160	160
	35	M 42×2	29.5	50	42.5	20	50	50	444	EVGE35LMED	160	160	160
	42	M 48×2	35.5	55	46.5	22	55	60	614	EVGE42LMED	160	160	160
S ⁴⁾	06	M 12×1.5	3.5	17	27.0	12	17	17	43	EVGE06SMED	630	630	630
	08	M 14×1.5	4.5	19	29.5	12	19	19	59	EVGE08SMED	630	630	630
	10	M 16×1.5	6.5	22	32.0	12	22	22	82	EVGE10SMED	630	630	630
	12	M 18×1.5	7.5	24	34.0	12	24	24	104	EVGE12SMED	630	630	630
	14	M 20×1.5	9.5	26	36.5	14	27	27	144	EVGE14SMED	630	630	630
	16	M 22×1.5	11.5	27	37.0	14	27	30	162	EVGE16SMED	400	400	400
	20	M 27×2	15.5	32	43.0	16	32	36	254	EVGE20SMED	400	400	400
	25	M 33×2	18.0	40	48.0	18	41	46	493	EVGE25SMED	400	400	400
	30	M 42×2	23.5	50	51.0	20	50	50	654	EVGE30SMED	400	400	400
	38	M 48×2	29.0	55	60.0	22	55	60	962	EVGE38SMED	315	315	315

¹⁾ Pressure shown = item deliverable

³⁾ L = light series; ⁴⁾ S = heavy series

$$\frac{\text{PN (bar)}}{10} = \text{PN (MPa)}$$

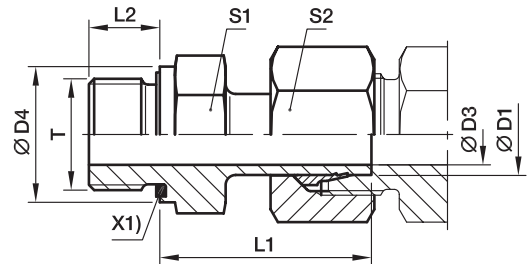
Information on ordering alternative sealing materials see page 17.

*Please add the **suffixes** below according to the material/surface required.

Order code suffixes			
Material	Suffix surface and material	Example	Standard sealing material (no additional suffix needed)
Steel, zinc plated, chrome ⁶⁾ -free	CF	EGE16SMEDCF	NBR
Steel, zinc yellow plated	A3C	EGE16SMEDA3C	NBR
Stainless Steel	71	EGE16SMED71	VIT

EVGE-R-ED Standpipe connector

Male BSPP thread – ED-seal (ISO 1179) / EO standpipe adjustable



Pre-assembled nut and ring.
Final assembly (in appropriate body) at least 1/4 turn beyond the point of clearly perceptible resistance.

X1) Eolastic-sealing ED

Series	D1	T	D3	D4	L1	L2	S1	S2	Weight g/1 piece	Order code*	PN (bar) ¹⁾			
											CF	A3C	71	MS
L ³⁾	06	G 1/8 A	3.5	14	24.5	8	14	14	24	EVGE06LRED	315	315	315	200
	08	G 1/4 A	4.5	19	29.5	12	19	17	52	EVGE08LRED	315	315	315	200
	10	G 1/4 A	7.0	19	27.5	12	19	19	47	EVGE10LRED	315	315	315	200
	12	G 3/8 A	7.5	22	34.0	12	22	22	87	EVGE12LRED	315	315	315	200
	12	G 1/4 A	7.0	19	28.5	12	19	22	61	EVGE12LR1/4ED	315	315		
	12	G 1/2 A	7.5	27	34.5	14	27	22	121	EVGE12LR1/2ED	315	315	315	
	15	G 1/2 A	11.0	27	31.0	14	27	27	114	EVGE15LRED	315	315	315	200
	18	G 1/2 A	14.0	27	31.5	14	27	32	132	EVGE18LRED	315	315	315	200
	22	G 3/4 A	18.0	32	32.5	16	32	36	183	EVGE22LRED	160	160	160	100
	28	G 1 A	23.0	40	35.0	18	41	41	262	EVGE28LRED	160	160	160	
	35	G 1 1/4 A	29.5	50	42.5	20	50	50	436	EVGE35LRED	160	160	160	
	42	G 1 1/2 A	35.5	55	46.5	22	55	60	615	EVGE42LRED	160	160	160	
S ⁴⁾	06	G 1/4 A	3.5	19	27.0	12	19	17	48	EVGE06SRED	630	630	630	
	08	G 1/4 A	4.5	19	29.5	12	19	19	57	EVGE08SRED	630	630	630	
	10	G 3/8 A	6.5	22	32.0	12	22	22	84	EVGE10SRED	630	630	630	
	12	G 3/8 A	7.5	22	34.0	12	22	24	95	EVGE12SRED	630	630	630	
	12	G 1/2 A	7.5	27	34.5	14	27	24	130	EVGE12SR1/2ED	630	630	630	
	14	G 1/2 A	9.5	27	36.5	14	27	27	149	EVGE14SRED	630	630	630	
	16	G 1/2 A	11.5	27	37.0	14	27	30	158	EVGE16SRED	400	400	400	
	16	G 3/4 A	11.5	32	39.0	16	32	30	222	EVGE16SR3/4ED	400	400		
	20	G 3/4 A	15.5	32	43.0	16	32	36	254	EVGE20SRED	400	400	400	
	25	G 1 A	18.0	40	48.0	18	41	46	485	EVGE25SRED	400	400	400	
	30	G 1 1/4 A	23.5	50	51.0	20	50	50	661	EVGE30SRED	400	400	400	
	38	G 1 1/2 A	29.0	55	60.0	22	55	60	962	EVGE38SRED	315	315	315	

¹⁾ Pressure shown = item deliverable

³⁾ L = light series; ⁴⁾ S = heavy series

$$\frac{\text{PN (bar)}}{10} = \text{PN (MPa)}$$

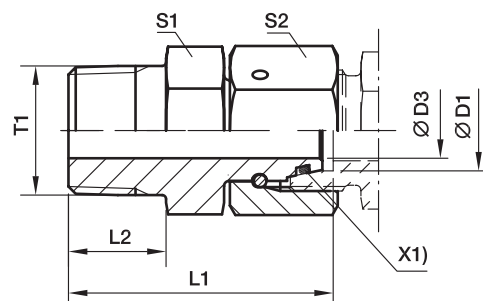
Information on ordering alternative sealing materials see page 17.

*Please add the **suffixes** below according to the material/surface required.

Order code suffixes			
Material	Suffix surface and material	Example	Standard sealing material (no additional suffix needed)
Steel, zinc plated, chrome ⁶⁾ -free	CF	EVGE16SREDCF	NBR
Steel, zinc yellow plated	A3C	EVGE16SREDA3C	NBR
Stainless Steel	71	EVGE16SRED71	VIT
Brass	MS	EVGE16SREDMS	NBR

EGE-NPT Swivel connector

Male NPT thread (SAE J476) / EO 24° DKO swivel



X1) O-ring OR

Series	D1	T1	D3	L1	L2	S1	S2	Weight g/1 piece	Order code*	PN (bar) ¹⁾	
										CF	A3C
L ³⁾	06	1/8-27NPT	2.5	31.5	10.0	11	14	23	EGE06L1/8NPT	315	315
	08	1/4-18NPT	4.0	37.5	14.5	14	17	41	EGE08L1/4NPT	315	315
	10	1/4-18NPT	6.0	38.0	14.5	14	19	44	EGE10L1/4NPT	315	315
	12	3/8-18NPT	8.0	40.0	14.5	19	22	69	EGE12L3/8NPT	315	315
	15	1/2-14NPT	10.0	49.5	19.5	22	27	127	EGE15L1/2NPT	315	315
	18	1/2-14NPT	12.0	49.0	19.5	24	32	142	EGE18L1/2NPT	315	315
	22	3/4-14NPT	16.0	52.0	19.5	27	36	200	EGE22L3/4NPT	160	160
	28	1-11 1/2NPT	22.0	61.0	24.5	36	41	306	EGE28L1NPT	160	160
	35	1 1/4-11 1/2NPT	28.0	65.5	25.0	46	50	486	EGE35L11/4NPT	160	160
	42	1 1/2-11 1/2NPT	34.0	68.5	26.0	50	60	662	EGE42L11/2NPT	160	160
S ⁴⁾	06	1/4-18NPT	2.5	37.5	14.5	14	17	42	EGE06S1/4NPT	630	630
	08	1/4-18NPT	4.0	38.0	14.5	14	19	47	EGE08S1/4NPT	630	630
	10	3/8-18NPT	6.0	40.5	14.5	19	22	75	EGE10S3/8NPT	630	630
	12	3/8-18NPT	8.0	42.0	14.5	19	24	81	EGE12S3/8NPT	630	630
	14	1/2-14NPT	9.0	50.5	19.5	22	27	131	EGE14S1/2NPT	630	630
	16	1/2-14NPT	11.0	51.0	19.5	22	30	145	EGE16S1/2NPT	400	400
	20	3/4-14NPT	14.0	54.0	19.5	27	36	221	EGE20S3/4NPT	400	400
	25	1-11 1/2NPT	18.0	63.5	24.5	36	46	422	EGE25S1NPT	400	400
	30	1 1/4-11 1/2NPT	23.0	70.5	25.0	46	50	628	EGE30S11/4NPT	400	400
	38	1 1/2-11 1/2NPT	30.0	73.5	26.0	50	60	770	EGE38S11/2NPT	315	315

¹⁾ Pressure shown = item deliverable

³⁾ L = light series; ⁴⁾ S = heavy series

$$\frac{\text{PN (bar)}}{10} = \text{PN (MPa)}$$

Information on ordering alternative sealing materials see page 17.

*Please add the **suffixes** below according to the material/surface required.

Order code suffixes			
Material	Suffix surface and material	Example	Standard sealing material (no additional suffix needed)
Steel, zinc plated, chrome ⁶ -free	CF	EGE16S1/2NPTCF	NBR
Steel, zinc yellow plated	A3C	EGE16S1/2NPTA3C	NBR