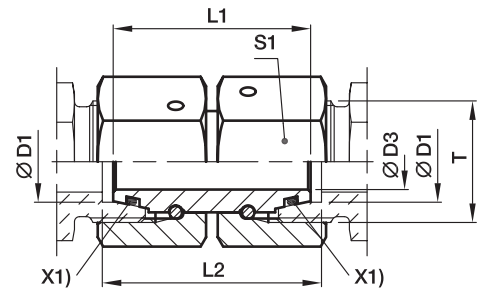


GZ Swivel union

EO 24° DKO swivel



X1) O-ring OR

Series	D1 	D3	L1	L2	S1	Weight g/1 piece	Order code*	PN (bar) ¹⁾		
								CF	A3C	71
L ³⁾	06	2.5	32	33	14	28	GZ06L	500	315	315
	08	4.0	32	33	17	41	GZ08L	500	315	315
	10	6.0	33	34	19	53	GZ10L	500	315	315
	12	8.0	33	34	22	71	GZ12L	400	315	315
	15	10.0	38	39	27	129	GZ15L	400	315	315
	18	13.0	36	38	32	165	GZ18L	400	315	315
	22	17.0	42	44	36	243	GZ22L	250	160	160
	28	22.0	46	48	41	319	GZ28L	250	160	160
	35	28.0	48	52	50	449	GZ35L	250	160	160
	42	34.0	52	57	60	737	GZ42L	250	160	160
S ⁴⁾	06	2.5	32	33	17	41	GZ06S	800	630	630
	08	4.0	33	34	19	54	GZ08S	800	630	630
	10	6.0	33	35	22	74	GZ10S	800	630	630
	12	8.0	36	38	24	95	GZ12S	630	630	630
	14	9.0	39	41	27	131	GZ14S	630	630	630
	16	11.0	39	42	30	172	GZ16S	630	400	400
	20	14.0	44	48	36	261	GZ20S	420	400	400
	25	18.0	46	53	46	477	GZ25S	420	400	400
	30	23.0	52	62	50	605	GZ30S	420	400	400
	38	30.0	52	67	60	826	GZ38S	420	315	315

¹⁾ Pressure shown = item deliverable

³⁾ L = light series; ⁴⁾ S = heavy series

$$\frac{PN \text{ (bar)}}{10} = PN \text{ (MPa)}$$

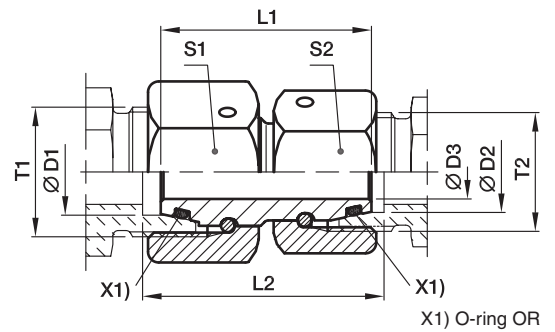
Information on ordering complete fittings or alternative sealing materials see page I7.

Order code suffixes			
Material	Suffix surface and material	Example	Standard sealing material (no additional suffix needed)
Steel, zinc plated, chrome ⁶⁾ -free	CF	GZ16SCF	NBR
Steel, zinc yellow plated	A3C	GZ16SA3C	NBR
Stainless Steel	71	GZ16S71	VIT

*Please add the **suffixes** below according to the material/surface required.

GZR Swivel reducer

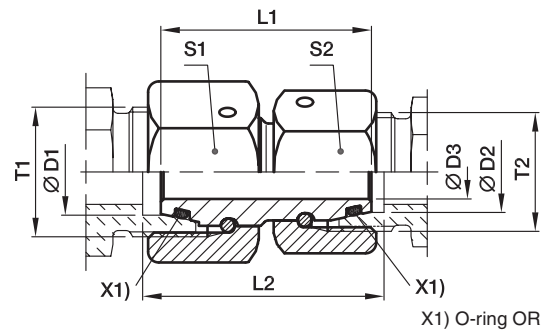
EO 24° DKO swivel



Series 3) 4)	D1	D2	T1	T2	D3	L1	L2	S1	S2	Weight g/1 piece	Order code*	PN (bar) ¹⁾	
												CF	A3C
L/S	06	06	M 14×1.5	M 12×1.5	2.5	32	33.0	17	14	34	GZR06L/06S	500	315
L	08	06	M 14×1.5	M 12×1.5	2.5	32	33.0	17	14	36	GZR08/06L	500	315
L/S	08	08	M 16×1.5	M 14×1.5	4.0	33	34.0	19	17	48	GZR08L/08S	500	315
L	10	06	M 16×1.5	M 12×1.5	2.5	33	34.0	19	14	44	GZR10/06L	500	315
L	10	08	M 16×1.5	M 14×1.5	4.0	33	34.0	19	17	50	GZR10/08L	500	315
L/S	10	10	M 18×1.5	M 16×1.5	6.0	33	34.5	22	19	63	GZR10L/10S	500	315
L	12	06	M 18×1.5	M 12×1.5	2.5	33	34.0	22	14	56	GZR12/06L	400	315
L	12	08	M 18×1.5	M 14×1.5	4.0	33	34.0	22	17	62	GZR12/08L	400	315
L	12	10	M 18×1.5	M 16×1.5	6.0	33	34.0	22	19	65	GZR12/10L	400	315
L/S	12	12	M 20×1.5	M 18×1.5	8.0	36	37.5	24	22	85	GZR12L/12S	400	315
L	15	08	M 22×1.5	M 14×1.5	4.0	38	39.0	27	17	98	GZR15/08L	400	315
L	15	10	M 22×1.5	M 16×1.5	6.0	38	39.0	27	19	101	GZR15/10L	400	315
L	15	12	M 22×1.5	M 18×1.5	8.0	38	39.0	27	22	108	GZR15/12L	400	315
L	18	10	M 26×1.5	M 16×1.5	6.0	36	37.5	32	19	125	GZR18/10L	400	315
L	18	12	M 26×1.5	M 18×1.5	8.0	36	37.5	32	22	132	GZR18/12L	400	315
L	18	15	M 26×1.5	M 22×1.5	10.0	38	39.5	32	27	155	GZR18/15L	400	315
L/S	18	16	M 26×1.5	M 24×1.5	11.0	39	41.5	32	30	177	GZR18L/16S	400	315
L	22	12	M 30×2	M 18×1.5	8.0	42	43.5	36	22	195	GZR22/12L	250	160
L	22	15	M 30×2	M 22×1.5	10.0	42	43.5	36	27	215	GZR22/15L	250	160
L	22	18	M 30×2	M 26×1.5	13.0	42	44.0	36	32	228	GZR22/18L	250	160
L/S	22	20	M 30×2	M 30×2	14.0	44	47.0	36	36	266	GZR22L/20S	250	160
L	28	15	M 36×2	M 22×1.5	10.0	46	47.5	41	27	143	GZR28/15L	250	160
L	28	18	M 36×2	M 26×1.5	13.0	46	48.0	41	32	311	GZR28/18L	250	160
L	28	22	M 36×2	M 30×2	17.0	46	46.0	41	36	309	GZR28/22L	250	160
L/S	28	25	M 36×2	M 36×2	18.0	46	50.5	41	46	419	GZR28L/25S	250	160
L	35	18	M 45×2	M 26×1.5	13.0	48	51.0	50	32	430	GZR35/18L	250	160
L	35	22	M 45×2	M 30×2	17.0	48	51.0	50	36	429	GZR35/22L	250	160
L	35	28	M 45×2	M 36×2	22.0	48	51.0	50	41	415	GZR35/28L	250	160
L/S	35	30	M 45×2	M 42×2	23.0	52	59.0	50	50	577	GZR35L/30S	250	160
L	42	22	M 52×2	M 30×2	17.0	52	55.5	60	36	653	GZR42/22L	250	160
L	42	28	M 52×2	M 36×2	22.0	52	55.5	60	41	648	GZR42/28L	250	160
L	42	35	M 52×2	M 45×2	28.0	52	56.5	60	50	662	GZR42/35L	250	160
L/S	42	38	M 52×2	M 52×2	30.0	52	62.0	60	60	822	GZR42L/38S	250	160
S	08	06	M 16×1.5	M 14×1.5	2.5	33	34.0	19	17	49	GZR08/06S	800	630
S	10	06	M 18×1.5	M 14×1.5	2.5	33	34.5	22	17	60	GZR10/06S	800	630
S	10	08	M 18×1.5	M 16×1.5	4.0	33	34.5	22	19	66	GZR10/08S	800	630
S	12	06	M 20×1.5	M 14×1.5	2.5	36	37.5	24	17	77	GZR12/06S	630	630
S	12	08	M 20×1.5	M 16×1.5	4.0	36	37.5	24	19	82	GZR12/08S	630	630
S	12	10	M 20×1.5	M 18×1.5	6.0	36	38.0	24	22	89	GZR12/10S	630	630
S	16	10	M 24×1.5	M 18×1.5	6.0	39	41.5	30	22	138	GZR16/10S	630	400
S	16	12	M 24×1.5	M 20×1.5	8.0	39	41.5	30	24	143	GZR16/12S	630	400
S/L	16	15	M 24×1.5	M 22×1.5	10.0	39	41.0	30	27	153	GZR16S/15L	400	315
S	20	12	M 30×2	M 20×1.5	8.0	44	47.0	36	24	204	GZR20/12S	420	400

GZR Swivel reducer

EO 24° DKO swivel



Series ^{3) 4)}	D1	D2	T1	T2	D3	L1	L2	S1	S2	Weight g/1 piece	Order code*	PN (bar) ¹⁾	
												CF	A3C
S	20	16	M 30×2	M 24×1.5	11.0	44	47.5	36	30	232	GZR20/16S	420	400
S/L	20	18	M 30×2	M 26×1.5	13.0	44	47.0	36	32	224	GZR20S/18L	400	315
S	25	16	M 36×2	M 24×1.5	11.0	46	51.0	46	30	224	GZR25/16S	420	400
S	25	20	M 36×2	M 30×2	14.0	46	51.5	46	36	364	GZR25/20S	420	400
S/L	25	22	M 36×2	M 30×2	17.0	46	50.5	46	36	475	GZR25S/22L	250	160
S	30	16	M 42×2	M 24×1.5	11.0	52	58.5	50	30	475	GZR30/16S	420	400
S	30	20	M 42×2	M 30×2	14.0	52	59.0	50	36	500	GZR30/20S	420	400
S	30	25	M 42×2	M 36×2	18.0	52	60.5	50	46	589	GZR30/25S	420	400
S/L	30	28	M 42×2	M 36×2	22.0	52	58.0	50	41	476	GZR30S/28L	250	160
S	38	20	M 52×2	M 30×2	14.0	52	61.5	60	36	671	GZR38/20S	420	315
S	38	25	M 52×2	M 36×2	18.0	52	63.0	60	46	759	GZR38/25S	420	315
S	38	30	M 52×2	M 42×2	23.0	52	64.5	60	50	767	GZR38/30S	420	315
S/L	38	35	M 52×2	M 45×2	28.0	52	61.5	60	50	662	GZR38S/35L	250	160

¹⁾ Pressure shown = item deliverable

³⁾ L = light series; ⁴⁾ S = heavy series

$$\frac{\text{PN (bar)}}{10} = \text{PN (MPa)}$$

Information on ordering complete fittings or alternative sealing materials see page 17.

*Please add the **suffixes** below according to the material/surface required.

Order code suffixes			
Material	Suffix surface and material	Example	Standard sealing material (no additional suffix needed)
Steel, zinc plated, chrome ⁶ -free	CF	GZR16/12SCF	NBR
Steel, zinc yellow plated	A3C	GZR16/12SA3C	NBR