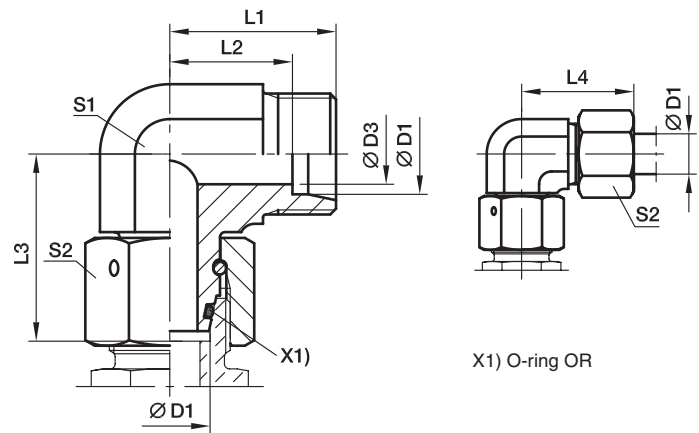


EW Swivel nut elbow

EO 24° cone end / EO 24° DKO swivel



X1) O-ring OR

Series	D1	D3	L1	L2	L3	L4	S1	S2	Weight g/1 piece	Order code*	PN (bar) ¹⁾		
											CF	A3C	71
L ³⁾	06	4	19	12.0	26.0	27	12	14	34	EW06LOMD	500	315	315
	08	6	21	14.0	27.5	29	12	17	43	EW08LOMD	500	315	315
	10	8	22	15.0	29.0	30	14	19	58	EW10LOMD	500	315	315
	12	10	24	17.0	29.5	32	17	22	81	EW12LOMD	400	315	315
	15	12	28	21.0	32.5	36	19	27	128	EW15LOMD	400	315	315
	18	15	31	23.5	35.5	40	24	32	197	EW18LOMD	400	315	315
	22	19	35	27.5	38.5	44	27	36	258	EW22LOMD	250	160	160
	28	24	38	30.5	41.5	47	36	41	370	EW28LOMD	250	160	160
	35	30	45	34.5	51.0	56	41	50	593	EW35LOMD	250	160	160
	42	36	51	40.0	56.0	63	50	60	993	EW42LOMD	250	160	160
S ⁴⁾	06	4	23	16.0	27.0	31	12	17	48	EW06SOMD	800	630	630
	08	5	24	17.0	27.5	32	14	19	65	EW08SOMD	800	630	630
	10	6	25	17.5	30.0	34	17	22	92	EW10SOMD	800	630	630
	12	8	29	21.5	31.0	38	17	24	107	EW12SOMD	630	630	630
	14	9	30	22.0	35.0	40	19	27	146	EW14SOMD	630	630	630
	16	12	33	24.5	36.5	43	24	30	212	EW16SOMD	630	400	400
	20	16	37	26.5	44.5	48	27	36	309	EW20SOMD	420	400	400
	25	20	42	30.0	50.0	54	36	46	547	EW25SOMD	420	400	400
	30	25	49	35.5	55.0	62	41	50	744	EW30SOMD	420	400	400
	38	32	57	41.0	63.0	72	50	60	1222	EW38SOMD	420	315	315

¹⁾ Pressure shown = item deliverable

³⁾ L = light series; ⁴⁾ S = heavy series

$$\frac{\text{PN (bar)}}{10} = \text{PN (MPa)}$$

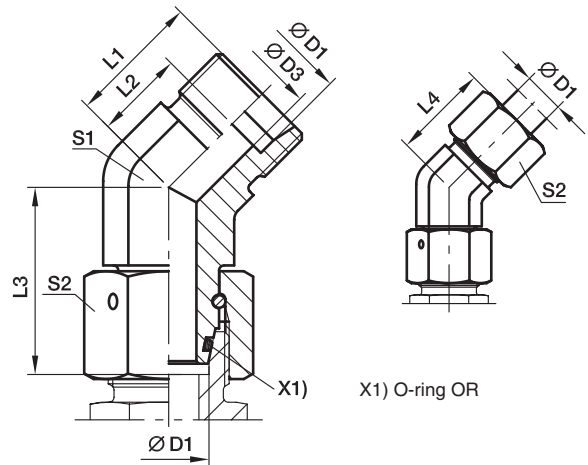
Delivery without nut and ring. Information on ordering complete fittings or alternative sealing materials see page I7.

*Please add the **suffixes** below according to the material/surface required.

Order code suffixes			
Material	Suffix surface and material	Example	Standard sealing material (no additional suffix needed)
Steel, zinc plated, chrome ⁶ -free	CF	EW16SOMDCF	NBR
Steel, zinc yellow plated	A3C	EW16SOMDA3C	NBR
Stainless Steel	71	EW16SOMD71	VIT

EV Swivel nut 45° elbow

EO 24° cone end / EO 24° DKO swivel



Series	D1	D3	L1	L2	L3	L4	S1	S2	Weight g/1 piece	Order code*	PN (bar) ¹⁾		
											CF	A3C	71
L ³⁾	06	4	16.0	9.0	26.0	24	14	14	37	EV06LOMD	315	315	315
	08	6	19.0	12.0	27.5	27	14	17	49	EV08LOMD	315	315	315
	10	8	19.0	12.0	29.0	27	19	19	77	EV10LOMD	315	315	315
	12	10	21.0	14.0	29.5	29	19	22	86	EV12LOMD	315	315	315
	15	12	24.0	17.0	32.5	32	22	27	144	EV15LOMD	315	315	315
	18	15	24.0	16.5	35.5	33	27	32	210	EV18LOMD	315	315	315
	22	19	26.0	18.5	38.5	35	30	36	270	EV22LOMD	160	160	160
	28	24	30.5	23.0	41.5	40	36	41	385	EV28LOMD	160	160	160
	35	30	37.0	26.5	51.0	48	50	50	805	EV35LOMD	160	160	160
	42	36	37.0	26.0	56.0	49	50	60	887	EV42LOMD	160	160	160
S ⁴⁾	06	4	16.0	9.0	27.0	24	14	17	50	EV06SOMD	630	630	630
	08	5	19.0	12.0	27.5	27	19	19	80	EV08SOMD	630	630	630
	10	7	21.0	13.5	30.0	30	19	22	95	EV10SOMD	630	630	630
	12	8	24.0	16.5	31.0	33	19	24	137	EV12SOMD	630	630	630
	16	12	24.0	15.5	36.5	34	19	30	217	EV16SOMD	400	400	400
	20	16	26.5	16.0	44.5	38	27	36	313	EV20SOMD	400	400	400
	25	20	30.5	18.5	50.0	43	36	46	529	EV25SOMD	400	400	400
	30	25	37.0	23.5	55.0	50	50	50	940	EV30SOMD	400	400	400
38	32	37.0	21.0	63.0	52	50	60	1055	EV38SOMD	315	315	315	

¹⁾ Pressure shown = item deliverable

³⁾ L = light series; ⁴⁾ S = heavy series

$$\frac{PN \text{ (bar)}}{10} = PN \text{ (MPa)}$$

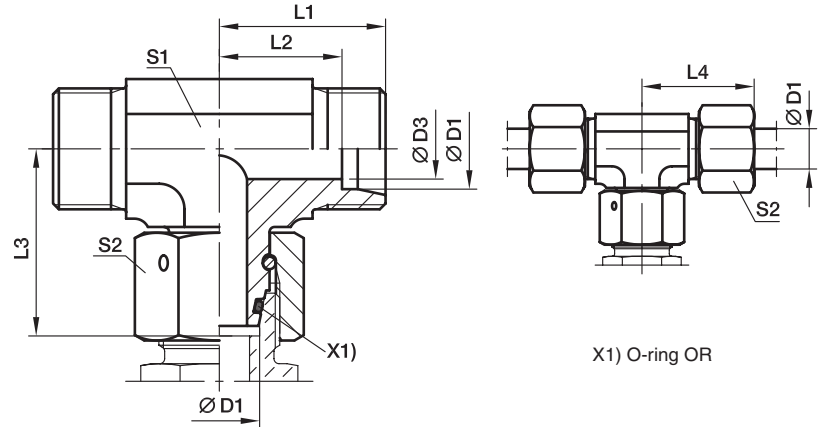
Delivery without nut and ring. Information on ordering complete fittings or alternative sealing materials see page 17.

*Please add the **suffixes** below according to the material/surface required.

Order code suffixes			
Material	Suffix surface and material	Example	Standard sealing material (no additional suffix needed)
Steel, zinc plated, chrome ⁶⁾ -free	CF	EV16SOMDCF	NBR
Steel, zinc yellow plated	A3C	EV16SOMDA3C	NBR
Stainless Steel	71	EV16SOMD71	VIT

ET Swivel nut branch tee

EO 24° cone end / EO 24° DKO swivel



Series	D1	D3	L1	L2	L3	L4	S1	S2	Weight g/1 piece	Order code*	PN (bar) ¹⁾		
											CF	A3C	71
L ³⁾	06	4	19	12.0	26.0	27	12	14	42	ET06LOMD	500	315	315
	08	6	21	14.0	27.5	29	12	17	53	ET08LOMD	500	315	315
	10	8	22	15.0	29.0	30	14	19	71	ET10LOMD	500	315	315
	12	10	24	17.0	29.5	32	17	22	97	ET12LOMD	400	315	315
	15	12	28	21.0	32.5	36	19	27	159	ET15LOMD	400	315	315
	18	15	31	23.5	35.5	40	24	32	239	ET18LOMD	400	315	315
	22	19	35	27.5	38.5	44	27	36	308	ET22LOMD	250	160	160
	28	24	38	30.5	41.5	47	36	41	449	ET28LOMD	250	160	160
	35	30	45	34.5	51.0	56	41	50	679	ET35LOMD	250	160	160
	42	36	51	40.0	56.0	63	50	60	1131	ET42LOMD	250	160	160
S ⁴⁾	06	4	23	16.0	27.0	31	12	17	63	ET06SOMD	800	630	630
	08	5	24	17.0	27.5	32	14	19	79	ET08SOMD	800	630	630
	10	6	25	17.5	30.0	34	17	22	113	ET10SOMD	800	630	630
	12	8	29	21.5	31.0	38	17	24	136	ET12SOMD	630	630	630
	14	9	30	22.0	35.0	40	19	27	173	ET14SOMD	630	630	630
	16	12	33	24.5	36.5	43	24	30	239	ET16SOMD	630	400	400
	20	16	37	26.5	44.5	48	27	36	388	ET20SOMD	420	400	400
	25	20	42	30.0	50.0	54	36	46	652	ET25SOMD	420	400	400
	30	25	49	35.5	55.0	62	41	50	905	ET30SOMD	420	400	400
	38	32	57	41.0	63.0	72	50	60	1462	ET38SOMD	420	315	315

¹⁾ Pressure shown = item deliverable

³⁾ L = light series; ⁴⁾ S = heavy series

$$\frac{\text{PN (bar)}}{10} = \text{PN (MPa)}$$

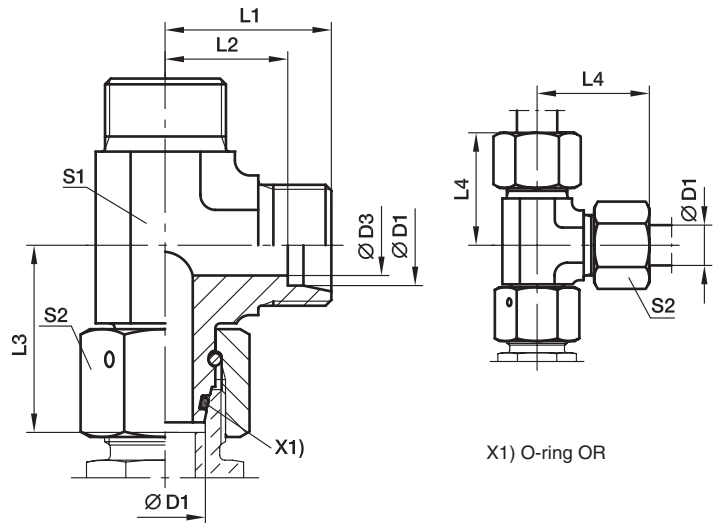
Delivery without nut and ring. Information on ordering complete fittings or alternative sealing materials see page I7.

*Please add the **suffixes** below according to the material/surface required.

Order code suffixes			
Material	Suffix surface and material	Example	Standard sealing material (no additional suffix needed)
Steel, zinc plated, chrome ⁶ -free	CF	ET16SOMDCF	NBR
Steel, zinc yellow plated	A3C	ET16SOMDA3C	NBR
Stainless Steel	71	ET16SOMD71	VIT

EL Swivel nut run tee

EO 24° cone end / EO 24° DKO swivel



Series	D1	D3	L1	L2	L3	L4	S1	S2	Weight g/1 piece	Order code*	PN (bar) ¹⁾		
											CF	A3C	71
L ³⁾	06	4	19	12.0	26.0	27	12	14	44	EL06LOMD	500	315	315
	08	6	21	14.0	27.5	29	12	17	53	EL08LOMD	500	315	315
	10	8	22	15.0	29.0	30	14	19	68	EL10LOMD	500	315	315
	12	10	24	17.0	29.5	32	17	22	95	EL12LOMD	400	315	315
	15	12	28	21.0	32.5	36	19	27	151	EL15LOMD	400	315	315
	18	15	31	23.5	35.5	40	24	32	233	EL18LOMD	400	315	315
	22	19	35	27.5	38.5	44	27	36	309	EL22LOMD	250	160	160
	28	24	38	30.5	41.5	47	36	41	436	EL28LOMD	250	160	160
	35	30	45	34.5	51.0	56	41	50	666	EL35LOMD	250	160	160
	42	36	51	40.0	56.0	63	50	60	1163	EL42LOMD	250	160	160
S ⁴⁾	06	4	23	16.0	27.0	31	12	17	65	EL06SOMD	800	630	630
	08	5	24	17.0	27.5	32	14	19	84	EL08SOMD	800	630	630
	10	6	25	17.5	30.0	34	17	22	118	EL10SOMD	800	630	630
	12	8	29	21.5	31.0	38	17	24	136	EL12SOMD	630	630	630
	14	9	30	22.0	35.0	40	19	27	173	EL14SOMD	630	630	630
	16	12	33	24.5	36.5	43	24	30	260	EL16SOMD	630	400	400
	20	16	37	26.5	44.5	48	27	36	375	EL20SOMD	420	400	400
	25	20	42	30.0	50.0	54	36	46	655	EL25SOMD	420	400	400
	30	25	49	35.5	55.0	62	41	50	906	EL30SOMD	420	400	400
	38	32	57	41.0	63.0	72	50	60	1472	EL38SOMD	420	315	315

¹⁾ Pressure shown = item deliverable

³⁾ L = light series; ⁴⁾ S = heavy series

$$\frac{\text{PN (bar)}}{10} = \text{PN (MPa)}$$

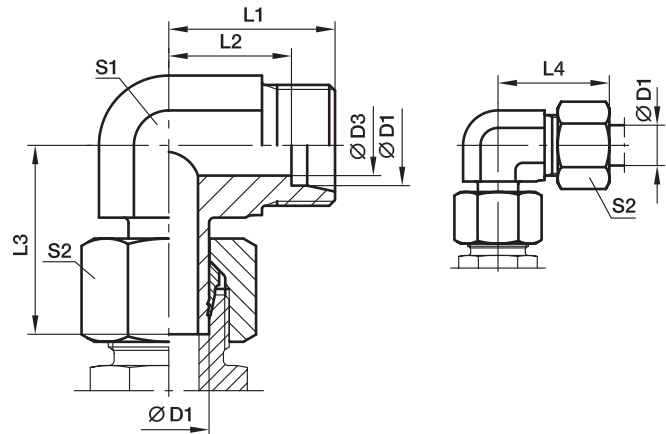
Delivery without nut and ring. Information on ordering complete fittings or alternative sealing materials see page I7.

*Please add the **suffixes** below according to the material/surface required.

Order code suffixes			
Material	Suffix surface and material	Example	Standard sealing material (no additional suffix needed)
Steel, zinc plated, chrome ⁶ -free	CF	EL16SOMDCF	NBR
Steel, zinc yellow plated	A3C	EL16SOMDA3C	NBR
Stainless Steel	71	EL16SOMD71	VIT

EVW Standpipe elbow

EO 24° cone end / EO stand pipe adjustable



With pre-assembled nut and progressive ring for connection.
Final assembly (in appropriate body) at least 1/4 turn beyond the point of clearly perceptible resistance.

Series	D1	D3	L1	L2	L3	L4	S1	S2	Weight g/1 piece	Order code*	PN (bar) ¹⁾			
											CF	A3C	71	MS
L ³⁾	06	4	19	12.0	26.0	27	12	14	32	EVW06LOMD	315	315	315	200
	08	6	21	14.0	27.5	29	12	17	40	EVW08LOMD	315	315	315	200
	10	8	22	15.0	29.0	30	14	19	54	EVW10LOMD	315	315	315	200
	12	10	24	17.0	29.5	32	17	22	76	EVW12LOMD	315	315	315	200
	15	12	28	21.0	32.5	36	19	27	119	EVW15LOMD	315	315	315	200
	18	15	31	23.5	35.5	40	24	32	192	EVW18LOMD	315	315	315	200
	22	19	35	27.5	38.5	44	27	36	355	EVW22LOMD	160	160	160	100
	28	24	38	30.5	42.0	47	36	41	514	EVW28LOMD	160	160	160	100
	35	30	45	34.5	51.0	56	41	50	536	EVW35LOMD	160	160	160	100
	42	36	51	40.0	60.0	63	50	60	977	EVW42LOMD	160	160	160	100
S ⁴⁾	06	4	23	16.0	27.0	31	12	17	44	EVW06SOMD	630	630	630	400
	08	5	24	17.0	27.5	32	14	19	63	EVW08SOMD	630	630	630	400
	10	7	25	17.5	31.0	34	17	22	95	EVW10SOMD	630	630	630	400
	12	8	29	21.5	31.0	38	17	24	110	EVW12SOMD	630	630	630	400
	14	10	30	22.0	35.0	40	19	27	137	EVW14SOMD	400	400	400	250
	16	12	33	24.5	37.5	43	24	30	211	EVW16SOMD	400	400	400	250
	20	16	37	26.5	44.5	48	27	36	306	EVW20SOMD	400	400	400	250
	25	20	42	30.0	50.0	54	36	46	558	EVW25SOMD	400	400	400	250
	30	25	49	35.5	55.0	62	41	50	724	EVW30SOMD	400	400	400	250
	38	32	57	41.0	66.5	72	50	60	1307	EVW38SOMD	315	315	315	200

¹⁾ Pressure shown = item deliverable

³⁾ L = light series; ⁴⁾ S = heavy series

$$\frac{\text{PN (bar)}}{10} = \text{PN (MPa)}$$

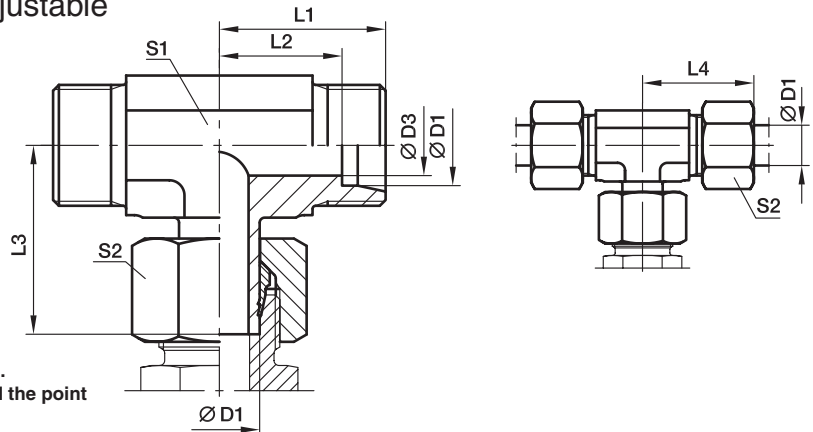
Delivery without nut and ring. Information on ordering complete fittings see page 17.

*Please add the **suffixes** below according to the material/surface required.

Order code suffixes		
Material	Suffix surface and material	Example
Steel, zinc plated, chrome ⁶ -free	CF	EVW16SOMDCF
Steel, zinc yellow plated	A3C	EVW16SOMDA3C
Stainless Steel	71	EVW16SOMD71
Brass	MS	EVW16SOMDMS

EVT Standpipe branch tee

EO 24° cone end / EO stand pipe adjustable



With pre-assembled nut and progressive ring for connection.
Final assembly (in appropriate body) at least 1/4 turn beyond the point of clearly perceptible resistance.

Series	D1	D3	L1	L2	L3	L4	S1	S2	Weight g/1 piece	Order code*	PN (bar) ¹⁾			
											CF	A3C	71	MS
L ³⁾	06	4	19	12.0	26.0	27	12	14	37	EVT06LOMD	315	315	315	200
	08	6	21	14.0	27.5	29	12	17	49	EVT08LOMD	315	315	315	200
	10	8	22	15.0	29.0	30	14	19	66	EVT10LOMD	315	315	315	200
	12	10	24	17.0	30.5	32	17	22	93	EVT12LOMD	315	315	315	200
	15	12	28	21.0	32.5	36	19	27	146	EVT15LOMD	315	315	315	200
	18	15	31	23.5	35.5	40	24	32	201	EVT18LOMD	315	315	315	200
	22	19	35	27.5	38.5	44	27	36	274	EVT22LOMD	160	160	160	
	28	24	38	30.5	43.5	47	36	41	441	EVT28LOMD	160	160	160	
	35	30	45	34.5	54.5	56	41	50	633	EVT35LOMD	160	160	160	
	42	36	51	40.0	60.0	63	50	60	1129	EVT42LOMD	160	160	160	
S ⁴⁾	06	4	23	16.0	27.0	31	12	17	61	EVT06SOMD	630	630	630	
	08	5	24	17.0	29.0	32	14	19	44	EVT08SOMD	630	630	630	
	10	7	25	17.5	31.0	34	17	22	84	EVT10SOMD	630	630	630	
	12	8	29	21.5	33.0	38	17	24	131	EVT12SOMD	630	630	630	
	14	10	30	22.0	35.0	40	19	27	173	EVT14SOMD	400	400	400	
	16	12	33	24.5	37.5	43	24	30	240	EVT16SOMD	400	400	400	
	20	16	37	26.5	44.5	48	27	36	345	EVT20SOMD	400	400	400	
	25	20	42	30.0	50.5	54	36	46	647	EVT25SOMD	400	400	400	
	30	25	49	35.5	56.5	62	41	50	873	EVT30SOMD	400	400	400	
	38	32	57	41.0	66.5	72	50	60	1361	EVT38SOMD	315	315	315	

¹⁾ Pressure shown = item deliverable

³⁾ L = light series; ⁴⁾ S = heavy series

$$\frac{PN \text{ (bar)}}{10} = PN \text{ (MPa)}$$

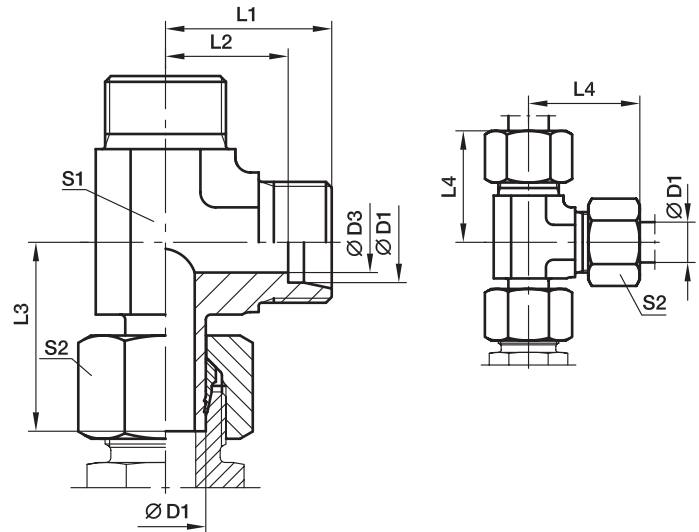
Delivery without nut and ring. Information on ordering complete fittings see page 17.

*Please add the **suffixes** below according to the material/surface required.

Order code suffixes		
Material	Suffix surface and material	Example
Steel, zinc plated, chrome ⁶ -free	CF	EVT16SOMDCF
Steel, zinc yellow plated	A3C	EVT16SOMDA3C
Stainless Steel	71	EVT16SOMD71
Brass	MS	EVT18LOMDMS

EVL standpipe run tee

EO 24° cone end / EO stand pipe adjustable



With pre-assembled nut and progressive ring for connection.
Final assembly (in appropriate body) at least 1/4 turn beyond the point of clearly perceptible resistance.

Series	D1	D3	L1	L2	L3	L4	S1	S2	Weight g/1 piece	Order code*	PN (bar) ¹⁾			
											CF	A3C	71	MS
L ³⁾	06	4	19	12.0	26.0	27	12	14	40	EVL06LOMD	315	315	315	200
	08	6	21	14.0	27.5	29	12	17	50	EVL08LOMD	315	315	315	200
	10	8	22	15.0	29.0	30	14	19	64	EVL10LOMD	315	315	315	200
	12	10	24	17.0	30.5	32	17	22	93	EVL12LOMD	315	315	315	200
	15	12	28	21.0	32.5	36	19	27	147	EVL15LOMD	315	315	315	200
	18	15	31	23.5	35.5	40	24	32	229	EVL18LOMD	315	315	315	200
	22	19	35	27.5	39.0	44	27	36	296	EVL22LOMD	160	160	160	
	28	24	38	30.5	43.5	47	36	41	416	EVL28LOMD	160	160	160	
	35	30	45	34.5	54.5	56	41	50	661	EVL35LOMD	160	160	160	
	42	36	51	40.0	60.0	63	50	60	1105	EVL42LOMD	160	160	160	
S ⁴⁾	06	4	23	16.0	27.0	31	12	17	57	EVL06SOMD	630	630	630	
	08	5	24	17.0	29.0	32	14	19	84	EVL08SOMD	630	630	630	
	10	7	25	17.5	32.0	34	17	22	116	EVL10SOMD	630	630	630	
	12	8	29	21.5	33.0	38	17	24	137	EVL12SOMD	630	630	630	
	14	10	30	22.0	35.0	40	19	27	175	EVL14SOMD	400	400	400	
	16	12	33	24.5	37.5	43	24	30	259	EVL16SOMD	400	400	400	
	20	16	37	26.5	44.5	48	27	36	371	EVL20SOMD	400	400	400	
	25	20	42	30.0	50.5	54	36	46	647	EVL25SOMD	400	400	400	
	30	25	49	35.5	56.5	62	41	50	906	EVL30SOMD	400	400	400	
	38	32	57	41.0	66.5	72	50	60	1549	EVL38SOMD	315	315	315	

¹⁾ Pressure shown = item deliverable

³⁾ L = light series; ⁴⁾ S = heavy series

$$\frac{\text{PN (bar)}}{10} = \text{PN (MPa)}$$

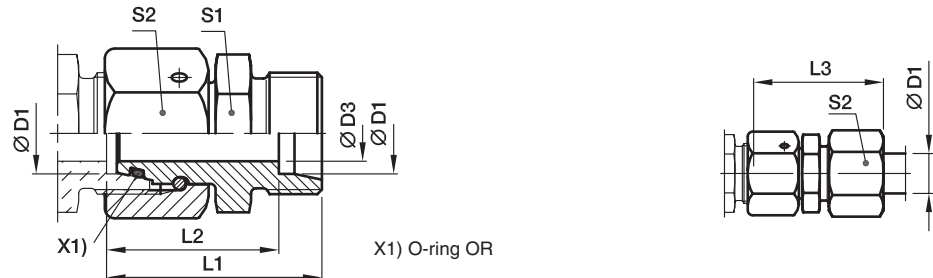
Delivery without nut and ring. Information on ordering complete fittings see page 17.

*Please add the **suffixes** below according to the material/surface required.

Order code suffixes		
Material	Suffix surface and material	Example
Steel, zinc plated, chrome ⁶ -free	CF	EVL16SOMDCF
Steel, zinc yellow plated	A3C	EVL16SOMDA3C
Stainless Steel	71	EVL16SOMD71
Brass	MS	EVL18LOMDMS

DA Distance piece adapter

EO 24° DKO swivel / EO 24° cone end



Series	D1	D3	L1	L2	L3	S1	S2	Weight g/1 piece	Order code*	PN (bar) ¹⁾			
										CF	A3C	71	MS
L ³⁾	06	2.5	43.0	36	51	12	14	33	DA06LOMD	500	315	315	200
	08	4.0	43.0	36	51	14	17	46	DA08LOMD	500	315	315	200
	10	6.0	43.0	36	51	17	19	60	DA10LOMD	500	315	315	200
	12	8.0	43.0	36	51	19	22	75	DA12LOMD	400	315	315	200
	15	10.0	43.0	36	51	24	27	118	DA15LOMD	400	315	315	200
	18	13.0	43.5	36	52	27	32	153	DA18LOMD	400	315	315	200
	22	17.0	47.5	40	56	32	36	210	DA22LOMD	250	160	160	100
	28	22.0	47.5	40	57	41	41	279	DA28LOMD	250	160	160	100
	35	28.0	60.5	50	72	46	50	468	DA35LOMD	250	160	160	100
	42	34.0	71.0	60	83	55	60	802	DA42LOMD	250	160	160	100
S ⁴⁾	06	2.5	43.0	36	51	14	17	48	DA06SOMD	800	630	630	400
	08	4.0	43.0	36	51	17	19	64	DA08SOMD	800	630	630	400
	10	6.0	43.5	36	52	19	22	81	DA10SOMD	800	630	630	400
	12	8.0	43.5	36	52	22	24	97	DA12SOMD	630	630	630	400
	14	9.0	48.0	40	58	24	27	133	DA14SOMD	630	630	630	400
	16	11.0	48.5	40	58	27	30	166	DA16SOMD	630	400	400	250
	20	14.0	56.5	46	68	32	36	265	DA20SOMD	420	400	400	250
	25	18.0	62.0	50	74	41	46	466	DA25SOMD	420	400	400	250
	30	23.0	69.5	56	83	46	50	601	DA30SOMD	420	400	400	250
	38	30.0	76.0	60	91	55	60	871	DA38SOMD	420	315	315	200

¹⁾ Pressure shown = item deliverable

³⁾ L = light series; ⁴⁾ S = heavy series

$\frac{PN \text{ (bar)}}{10} = PN \text{ (MPa)}$

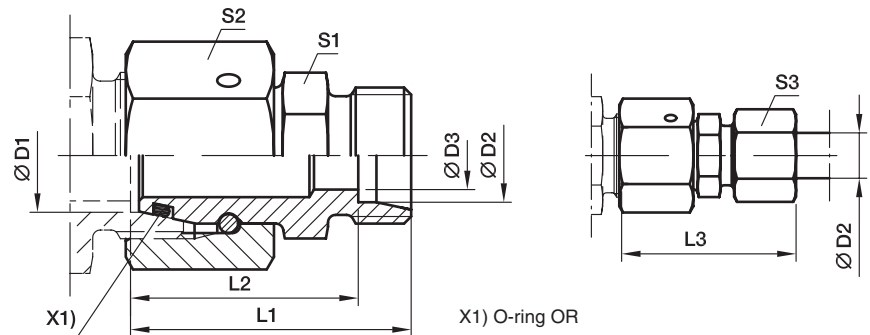
Delivery without nut and ring. Information on ordering complete fittings or alternative sealing materials see page I7.

*Please add the **suffixes** below according to the material/surface required.

Order code suffixes			
Material	Suffix surface and material	Example	Standard sealing material (no additional suffix needed)
Steel, zinc plated, chrome ⁶ -free	CF	DA16SOMDCF	NBR
Stahl, zinc yellow plated	A3C	DA16SOMDA3C	NBR
Stainless Steel	71	DA16SOMD71	VIT
Brass	MS	DA16SOMDMS	NBR

RED Tube end reducer

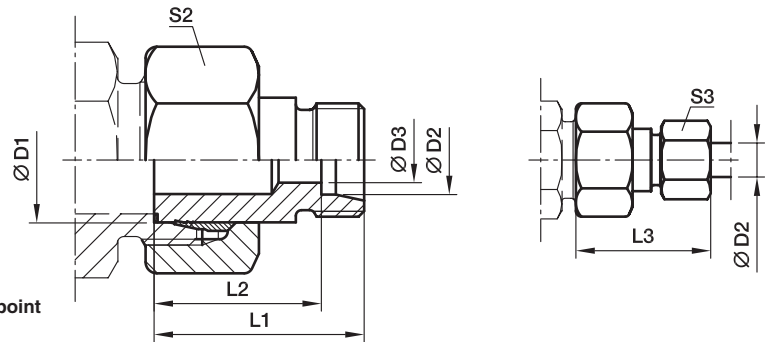
EO 24° DKO swivel / EO 24° cone end



Series 2) 3) 4)	D1	D2	D3	L1	L2	L3	S1	S2	S3	Weight g/1 piece	Order code*	PN (bar) ¹⁾		
												CF	A3C	71
L/LL	06	04	2.5	28.5	24.5	34.0	9	14	10	17	RED06L/04LLOMD	100	100	100
L	08	06	4.0	30.5	23.5	38.0	12	17	14	29	RED08/06LOMD	500	315	315
L	10	06	4.0	32.0	25.0	40.0	14	19	14	36	RED10/06LOMD	500	315	315
L	10	08	6.0	32.0	25.0	40.0	14	19	17	38	RED10/08LOMD	500	315	315
L	12	06	4.0	32.0	25.0	40.0	17	22	14	49	RED12/06LOMD	400	315	315
L	12	08	6.0	32.0	25.0	40.0	17	22	17	49	RED12/08LOMD	400	315	315
L	12	10	8.0	33.0	26.0	41.0	17	22	19	51	RED12/10LOMD	400	315	315
L	15	06	4.0	35.5	28.5	43.0	19	27	14	81	RED15/06LOMD	400	315	315
L	15	08	6.0	35.5	28.5	43.0	19	27	17	85	RED15/08LOMD	400	315	315
L	15	10	8.0	36.5	29.5	44.0	19	27	19	83	RED15/10LOMD	400	315	315
L	15	12	10.0	36.5	29.5	44.0	19	27	22	83	RED15/12LOMD	400	315	315
L	18	06	4.0	35.0	28.0	43.0	24	32	14	109	RED18/06LOMD	400	315	315
L	18	08	6.0	35.0	28.0	43.0	24	32	17	111	RED18/08LOMD	400	315	315
L	18	10	8.0	36.0	29.0	44.0	24	32	19	110	RED18/10LOMD	400	315	315
L	18	12	10.0	36.0	29.0	44.0	24	32	22	110	RED18/12LOMD	400	315	315
L	18	15	12.0	37.0	30.0	45.0	24	32	27	115	RED18/15LOMD	400	315	315
L/S	18	16	12.0	40.0	31.5	49.5	27	32	30	138	RED18L/16SOMD	400	315	315
L	22	06	4.0	39.0	32.0	47.0	27	36	14	158	RED22/06LOMD	250	160	160
L	22	08	6.0	39.0	32.0	47.0	27	36	17	158	RED22/08LOMD	250	160	160
L	22	10	8.0	40.0	33.0	48.0	27	36	19	159	RED22/10LOMD	250	160	160
L	22	12	10.0	40.0	33.0	48.0	27	36	22	157	RED22/12LOMD	250	160	160
L	22	15	12.0	41.0	34.0	49.0	27	36	27	164	RED22/15LOMD	250	160	160
L/S	22	16	12.0	43.0	34.5	52.5	27	36	30	173	RED22L/16SOMD	250	160	160
L	22	18	15.0	41.0	33.5	50.0	27	36	32	167	RED22/18LOMD	250	160	160
L/S	22	20	16.0	45.0	34.5	56.0	32	36	36	203	RED22L/20SOMD	250	160	160
L	28	06	4.0	41.0	34.0	49.0	32	41	14	219	RED28/06LOMD	250	160	160
L	28	08	6.0	41.0	34.0	49.0	32	41	17	221	RED28/08LOMD	250	160	160
L	28	10	8.0	42.0	35.0	50.0	32	41	19	213	RED28/10LOMD	250	160	160
L	28	12	10.0	42.0	35.0	50.0	32	41	22	213	RED28/12LOMD	250	160	160
L	28	15	12.0	43.0	36.0	51.0	32	41	27	218	RED28/15LOMD	250	160	160
L/S	28	16	12.0	45.0	36.5	54.5	32	41	30	227	RED28L/16SOMD	250	160	160
L	28	18	15.0	43.0	35.5	52.0	32	41	32	220	RED28/18LOMD	250	160	160
L	28	22	19.0	45.0	37.5	54.0	32	41	36	222	RED28/22LOMD	250	160	160
L/S	28	25	20.0	50.0	38.0	62.0	41	41	46	300	RED28L/25SOMD	250	160	160
L	35	06	4.0	44.0	37.0	52.0	41	50	14	318	RED35/06LOMD	250	160	160
L	35	08	6.0	44.0	37.0	52.0	41	50	17	318	RED35/08LOMD	250	160	160
L	35	10	8.0	45.0	38.0	53.0	41	50	19	318	RED35/10LOMD	250	160	160
L	35	12	10.0	45.0	38.0	53.0	41	50	22	324	RED35/12LOMD	250	160	160
L	35	15	12.0	46.0	39.0	54.0	41	50	27	328	RED35/15LOMD	250	160	160
L	35	18	15.0	46.0	38.5	55.0	41	50	32	328	RED35/18LOMD	250	160	160
L	35	22	19.0	48.0	40.5	57.0	41	50	36	331	RED35/22LOMD	250	160	160

KOR Tube end reducer – Steel and Brass

EO stand pipe adjustable / EO 24° cone end

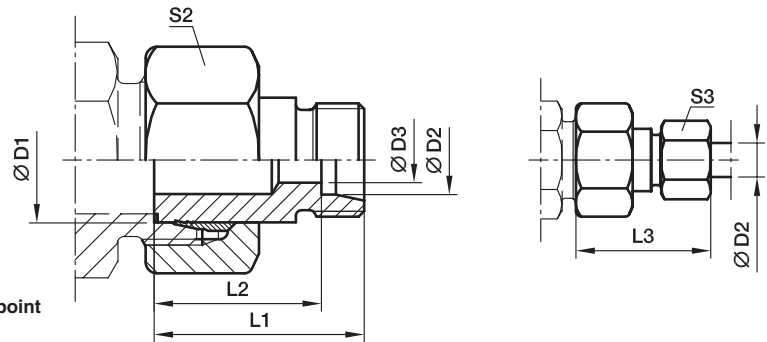


With pre-assembled nut and progressive ring for connection.
Final assembly (in appropriate body) at least 1/4 turn beyond the point of clearly perceptible resistance.

Series ^{2) 3)}	D1	D2	D3	L1	L2	L3	S2	S3	Weight g/1 piece	Order code*	PN (bar) ¹⁾		
											CF	A3C	MS
LL	06	04	3.0	28.5	24.5	34	12	10	16	KOR06/04LLOMD	100	100	
LL	08	04	3.0	28.5	24.5	34	14	10	16	KOR08/04LLOMD	100	100	
LL	08	06	4.5	23.0	17.5	29	14	12	14	KOR08/06LLOMD	100	100	
L/LL	06	04	3.0	28.5	24.5	34	14	10	16	KOR06L/04LLOMD	100	100	
L/LL	08	04	3.0	28.5	24.5	34	17	10	16	KOR08L/04LLOMD	100	100	
L	08	06	4.0	30.5	23.5	38	17	14	27	KOR08/06LOMD	315	315	200
L/LL	10	04	3.0	28.5	24.5	34	19	10	32	KOR10L/04LLOMD	100	100	
L	10	06	4.0	30.5	23.5	38	19	14	34	KOR10/06LOMD	315	315	200
L	10	08	6.0	30.5	23.5	38	19	17	35	KOR10/08LOMD	315	315	200
L/LL	12	04	3.0	28.5	24.5	34	22	10	41	KOR12L/04LLOMD	100	100	
L	12	06	4.0	30.5	23.5	38	22	14	45	KOR12/06LOMD	315	315	200
L	12	08	6.0	30.5	23.5	38	22	17	45	KOR12/08LOMD	315	315	200
L	12	10	8.0	31.5	24.5	39	22	19	46	KOR12/10LOMD	315	315	200
L	15	06	4.0	30.5	23.5	38	27	14	68	KOR15/06LOMD	315	315	200
L	15	08	6.0	30.5	23.5	38	27	17	69	KOR15/08LOMD	315	315	200
L	15	10	8.0	31.5	24.5	39	27	19	70	KOR15/10LOMD	315	315	200
L	15	12	10.0	31.5	24.5	39	27	22	70	KOR15/12LOMD	315	315	200
L	18	06	4.0	31.5	24.5	39	32	14	100	KOR18/06LOMD	315	315	200
L	18	08	6.0	31.5	24.5	39	32	17	102	KOR18/08LOMD	315	315	200
L	18	10	8.0	32.5	25.5	40	32	19	102	KOR18/10LOMD	315	315	200
L	18	12	10.0	32.5	25.5	40	32	22	101	KOR18/12LOMD	315	315	200
L	18	15	12.0	33.5	26.5	42	32	27	106	KOR18/15LOMD	315	315	200
L	22	06	4.0	32.5	25.5	40	36	14	137	KOR22/06LOMD	160	160	100
L	22	08	6.0	32.5	25.5	40	36	17	136	KOR22/08LOMD	160	160	100
L	22	10	8.0	33.5	26.5	41	36	19	138	KOR22/10LOMD	160	160	100
L	22	12	10.0	33.5	26.5	41	36	22	138	KOR22/12LOMD	160	160	100
L	22	15	12.0	34.5	27.5	43	36	27	143	KOR22/15LOMD	160	160	100
L	22	18	15.0	34.5	27.0	43	36	32	143	KOR22/18LOMD	160	160	100
L	28	06	4.0	33.5	26.5	41	41	14	177	KOR28/06LOMD	160	160	100
L	28	08	6.0	33.5	26.5	41	41	17	179	KOR28/08LOMD	160	160	100
L	28	10	8.0	34.5	27.5	42	41	19	180	KOR28/10LOMD	160	160	100
L	28	12	10.0	34.5	27.5	42	41	22	180	KOR28/12LOMD	160	160	100
L	28	15	12.0	35.5	28.5	44	41	27	185	KOR28/15LOMD	160	160	100
L	28	18	15.0	35.5	28.0	44	41	32	184	KOR28/18LOMD	160	160	100
L	28	22	19.0	37.5	30.0	46	41	36	188	KOR28/22LOMD	160	160	100
L	35	06	4.0	38.5	31.5	46	50	14	302	KOR35/06LOMD	160	160	
L	35	08	6.0	38.5	31.5	46	50	17	306	KOR35/08LOMD	160	160	
L	35	10	8.0	39.5	32.5	47	50	19	305	KOR35/10LOMD	160	160	100
L	35	12	10.0	39.5	32.5	47	50	22	304	KOR35/12LOMD	160	160	100
L	35	15	12.0	40.5	33.5	49	50	27	308	KOR35/15LOMD	160	160	100
L	35	18	15.0	40.5	33.0	49	50	32	316	KOR35/18LOMD	160	160	100
L	35	22	19.0	42.5	35.0	51	50	36	310	KOR35/22LOMD	160	160	100
L	35	28	24.0	42.5	35.0	52	50	41	305	KOR35/28LOMD	160	160	100

KOR Tube end reducer – Steel and Brass

EO stand pipe adjustable / EO 24° cone end



With pre-assembled nut and progressive ring for connection.
Final assembly (in appropriate body) at least 1/4 turn beyond the point of clearly perceptible resistance.

Series ²⁾ ³⁾	D1	D2	D3	L1	L2	L3	S2	S3	Weight g/1 piece	Order code*	PN (bar) ¹⁾		
											CF	A3C	MS
L	42	10	8.0	40.5	33.5	48	60	19	455	KOR42/10LOMD	160	160	
L	42	12	10.0	40.5	33.5	48	60	22	438	KOR42/12LOMD	160	160	
L	42	15	12.0	41.5	34.5	50	60	27	438	KOR42/15LOMD	160	160	100
L	42	18	15.0	41.5	34.0	50	60	32	449	KOR42/18LOMD	160	160	100
L	42	22	19.0	43.5	36.0	52	60	36	461	KOR42/22LOMD	160	160	100
L	42	28	24.0	43.5	36.0	53	60	41	443	KOR42/28LOMD	160	160	100
L	42	35	30.0	45.5	35.0	57	60	50	444	KOR42/35LOMD	160	160	100

¹⁾ Pressure shown = item deliverable

²⁾ LL = very light series; ³⁾ L = light series

$\frac{\text{PN (bar)}}{10} = \text{PN (MPa)}$

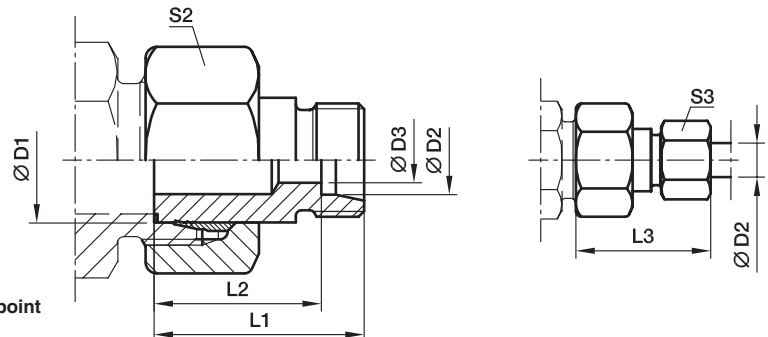
Delivery without nut and ring. Information on ordering complete fittings see page I7.

*Please add the **suffixes** below according to the material/surface required.

Order code suffixes		
Material	Suffix surface and material	Example
Steel, zinc plated, chrome ⁶ -free	CF	KOR18/15LOMDCF
Steel, zinc yellow plated	A3C	KOR18/15LOMDA3C
Brass	MS	KOR18/15LOMDMS

KOR Tube end reducer – Steel and Brass

EO stand pipe adjustable / EO 24° cone end

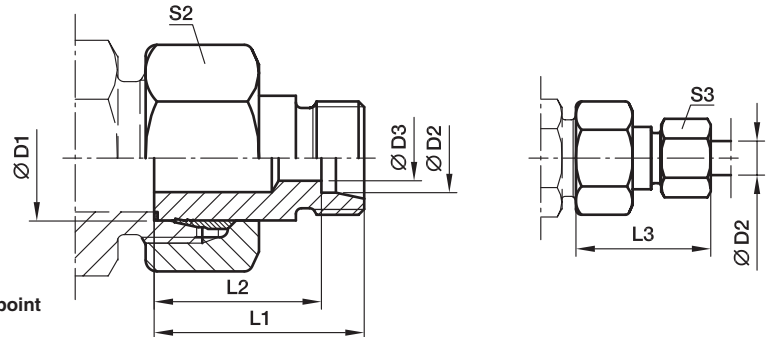


With pre-assembled nut and progressive ring for connection.
Final assembly (in appropriate body) at least 1/4 turn beyond the point of clearly perceptible resistance.

Series	D1	D2	D3	L1	L2	L3	S2	S3	Weight g/1 piece	Order code*	PN (bar) ¹⁾		
											CF	A3C	MS
S ⁴⁾	08	06	4	32	25.0	40	19	17	37	KOR08/06SOMD	630	630	400
	10	06	4	33	26.0	41	22	17	53	KOR10/06SOMD	630	630	400
	10	08	5	33	26.0	41	22	19	55	KOR10/08SOMD	630	630	400
	12	06	4	34	27.0	42	24	17	61	KOR12/06SOMD	630	630	400
	12	08	5	34	27.0	42	24	19	63	KOR12/08SOMD	630	630	400
	12	10	7	34	26.5	43	24	22	64	KOR12/10SOMD	630	630	400
	14	06	4	36	29.0	44	27	17	88	KOR14/06SOMD	630	630	400
	14	08	5	36	29.0	44	27	19	89	KOR14/08SOMD	630	630	400
	14	10	7	36	28.5	45	27	22	91	KOR14/10SOMD	630	630	400
	14	12	8	36	28.5	45	27	24	92	KOR14/12SOMD	630	630	400
16	06	4	36	29.0	44	30	17	106	KOR16/06SOMD	400	400	250	
	08	5	36	29.0	44	30	19	108	KOR16/08SOMD	400	400	250	
	10	7	36	28.5	45	30	22	114	KOR16/10SOMD	400	400	250	
	12	8	36	28.5	45	30	24	115	KOR16/12SOMD	400	400	250	
	14	10	38	30.0	48	30	27	116	KOR16/14SOMD	400	400	250	
20	06	4	41	34.0	49	36	17	175	KOR20/06SOMD	400	400	250	
	08	5	41	34.0	49	36	19	177	KOR20/08SOMD	400	400	250	
	10	7	41	33.5	50	36	22	178	KOR20/10SOMD	400	400	250	
	12	8	41	33.5	50	36	24	180	KOR20/12SOMD	400	400	250	
	14	10	41	33.0	51	36	27	180	KOR20/14SOMD	400	400	250	
25	06	4	44	37.0	52	46	17	306	KOR25/06SOMD	400	400	250	
	08	5	44	37.0	52	46	19	311	KOR25/08SOMD	400	400	250	
	10	7	44	36.5	53	46	22	313	KOR25/10SOMD	400	400	250	
	12	8	44	36.5	53	46	24	317	KOR25/12SOMD	400	400	250	
	14	10	45	37.0	55	46	27	312	KOR25/14SOMD	400	400	250	
30	06	4	46	39.0	54	50	17	373	KOR30/06SOMD	400	400	250	
	08	5	46	39.0	54	50	19	376	KOR30/08SOMD	400	400	250	
	10	7	46	38.5	55	50	22	376	KOR30/10SOMD	400	400	250	
	12	8	46	38.5	55	50	24	377	KOR30/12SOMD	400	400	250	
	14	10	48	40.0	58	50	27	379	KOR30/14SOMD	400	400	250	
38	06	4	50	43.0	58	60	17	571	KOR38/06SOMD	315	315	200	
	08	5	50	43.0	58	60	19	567	KOR38/08SOMD	315	315	200	
	10	7	50	42.5	59	60	22	571	KOR38/10SOMD	315	315	200	
	12	8	50	42.5	59	60	24	571	KOR38/12SOMD	315	315	200	

KOR Tube end reducer – Steel and Brass

EO stand pipe adjustable / EO 24° cone end



With pre-assembled nut and progressive ring for connection.
Final assembly (in appropriate body) at least 1/4 turn beyond the point of clearly perceptible resistance.

Series	D1	D2	D3	L1	L2	L3	S2	S3	Weight g/1 piece	Order code*	PN (bar) ¹⁾		
											CF	A3C	MS
S ⁴⁾	38	14	10	52	44.0	62	60	27	575	KOR38/14SOMD	315	315	200
	38	16	12	52	43.5	62	60	30	580	KOR38/16SOMD	315	315	200
	38	20	16	54	43.5	65	60	36	593	KOR38/20SOMD	315	315	200
	38	25	20	56	44.0	68	60	46	605	KOR38/25SOMD	315	315	200
	38	30	25	58	44.5	71	60	50	614	KOR38/30SOMD	315	315	200

¹⁾ Pressure shown = item deliverable

⁴⁾ S = heavy series

$$\frac{\text{PN (bar)}}{10} = \text{PN (MPa)}$$

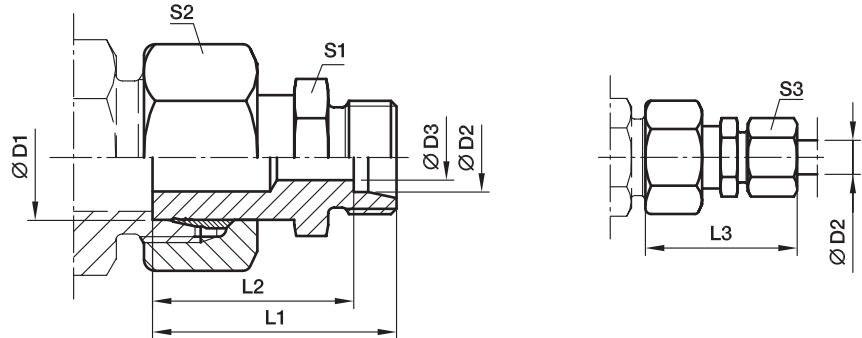
Delivery without nut and ring. Information on ordering complete fittings see page I7.

*Please add the **suffixes** below according to the material/surface required.

Order code suffixes		
Material	Suffix surface and material	Example
Steel, zinc plated, chrome ⁶ -free	CF	KOR16/10SOMDCF
Steel, zinc yellow plated	A3C	KOR16/10SOMDA3C
Brass	MS	KOR16/10SOMDMS

KOR Tube end reducer – Stainless steel

EO stand pipe adjustable / EO 24° cone end



With pre-assembled nut and progressive ring for connection.
Final assembly (in appropriate body) at least 1/4 turn beyond the point of clearly perceptible resistance.

Series	D1	D2	D3	L1	L2	L3	S1	S2	S3	Weight g/1 piece	Order code	PN (bar) ¹⁾
												71
L ³⁾	08	06	4	33.5	26.5	41	12	17	14	32	KOR08/06LOMD71	315
	10	06	4	34.5	27.5	42	12	19	14	39	KOR10/06LOMD71	315
	10	08	6	35.5	28.5	43	14	19	17	40	KOR10/08LOMD71	315
	12	06	4	36.5	29.5	44	14	22	14	49	KOR12/06LOMD71	315
	12	08	6	36.5	29.5	44	14	22	17	53	KOR12/08LOMD71	315
	12	10	8	37.5	30.5	45	17	22	19	55	KOR12/10LOMD71	315
	15	06	4	37.0	30.0	45	17	27	14	79	KOR15/06LOMD71	315
	15	08	6	37.0	30.0	45	17	27	17	78	KOR15/08LOMD71	315
	15	10	8	38.0	31.0	46	17	27	19	85	KOR15/10LOMD71	315
	15	12	10	39.0	32.0	47	19	27	22	84	KOR15/12LOMD71	315
	18	06	4	37.5	30.5	45	19	32	14	112	KOR18/06LOMD71	315
	18	08	6	37.5	30.5	45	19	32	17	113	KOR18/08LOMD71	315
	18	10	8	38.5	31.5	46	19	32	19	113	KOR18/10LOMD71	315
	18	12	10	38.5	31.5	46	19	32	22	122	KOR18/12LOMD71	315
	18	15	12	39.5	32.5	48	24	32	27	131	KOR18/15LOMD71	315
	22	06	4	38.5	31.5	46	24	36	14	154	KOR22/06LOMD71	160
	22	08	6	38.5	31.5	46	24	36	17	155	KOR22/08LOMD71	160
	22	10	8	39.5	32.5	47	24	36	19	156	KOR22/10LOMD71	160
	22	12	10	39.5	32.5	47	24	36	22	157	KOR22/12LOMD71	160
	22	15	12	40.5	33.5	49	24	36	27	160	KOR22/15LOMD71	160
22	18	15	41.5	34.0	50	27	36	32	173	KOR22/18LOMD71	160	
28	06	4	41.0	34.0	49	30	41	14	220	KOR28/06LOMD71	160	
28	08	6	41.0	34.0	49	30	41	17	217	KOR28/08LOMD71	160	
28	10	8	42.0	35.0	50	30	41	19	211	KOR28/10LOMD71	160	
28	12	10	42.0	35.0	50	30	41	22	219	KOR28/12LOMD71	160	
28	15	12	43.0	36.0	51	30	41	27	188	KOR28/15LOMD71	160	
28	18	15	43.0	35.5	52	30	41	32	218	KOR28/18LOMD71	160	
28	22	19	45.0	37.5	54	32	41	36	228	KOR28/22LOMD71	160	
35	06	4	48.5	41.5	56	36	50	14	307	KOR35/06LOMD71	160	
35	08	6	48.5	41.5	56	36	50	17	313	KOR35/08LOMD71	160	
35	10	8	49.5	42.5	57	36	50	19	370	KOR35/10LOMD71	160	
35	12	10	49.5	42.5	57	36	50	22	371	KOR35/12LOMD71	160	
35	15	12	50.5	43.5	59	36	50	27	380	KOR35/15LOMD71	160	
35	18	15	50.5	43.0	59	36	50	32	382	KOR35/18LOMD71	160	
35	22	19	52.5	45.0	61	36	50	36	380	KOR35/22LOMD71	160	
35	28	24	52.5	45.0	62	41	50	41	400	KOR35/28LOMD71	160	
42	10	8	52.5	45.5	60	46	60	19	551	KOR42/10LOMD71	160	
42	12	10	52.5	45.5	60	46	60	22	551	KOR42/12LOMD71	160	
42	15	12	53.5	46.5	62	46	60	27	687	KOR42/15LOMD71	160	
42	18	15	53.5	46.0	62	46	60	32	555	KOR42/18LOMD71	160	
42	22	19	55.5	48.0	64	46	60	36	568	KOR42/22LOMD71	160	
42	28	24	55.5	48.0	65	46	60	41	559	KOR42/28LOMD71	160	
42	35	30	57.5	47.0	69	46	60	50	588	KOR42/35LOMD71	160	

¹⁾ Pressure shown = item deliverable

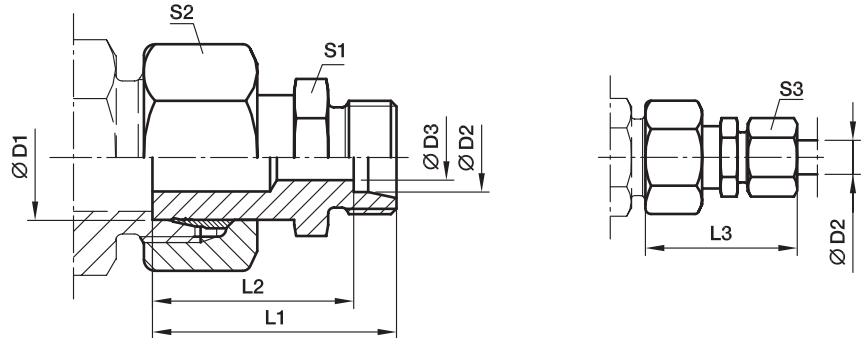
³⁾ L = light series

$$\frac{\text{PN (bar)}}{10} = \text{PN (MPa)}$$

Delivery without nut and ring. Information on ordering complete fittings see page 17.

KOR Tube end reducer – Stainless steel

EO stand pipe adjustable / EO 24° cone end



With pre-assembled nut and progressive ring for connection.
Final assembly (in appropriate body) at least 1/4 turn beyond the point of clearly perceptible resistance.

Series	D1	D2	D3	L1	L2	L3	S1	S2	S3	Weight g/1 piece	Order code	PN (bar) ¹⁾	
												71	
S ⁴⁾	08	06	4	36.5	29.5	44	14	19	17	16	KOR08/06SOMD71	630	
	10	06	4	38.5	31.5	46	14	22	17	16	KOR10/06SOMD71	630	
	10	08	5	38.5	31.5	46	17	22	19	14	KOR10/08SOMD71	630	
	12	06	4	38.5	31.5	46	14	24	17	16	KOR12/06SOMD71	630	
	12	08	5	38.5	31.5	46	17	24	19	16	KOR12/08SOMD71	630	
	12	10	7	39.5	32.0	48	19	24	22	27	KOR12/10SOMD71	630	
	14	06	4	40.5	33.5	48	17	27	17	32	KOR14/06SOMD71	630	
	14	08	5	40.5	33.5	48	17	27	19	34	KOR14/08SOMD71	630	
	14	10	7	41.5	34.0	50	19	27	22	35	KOR14/10SOMD71	630	
	14	12	8	41.5	34.0	50	22	27	24	41	KOR14/12SOMD71	630	
	16	06	4	41.0	34.0	49	17	30	17	44	KOR16/06SOMD71	400	
	16	08	5	41.0	34.0	49	17	30	19	45	KOR16/08SOMD71	400	
	16	10	7	42.0	34.5	51	19	30	22	46	KOR16/10SOMD71	400	
	16	12	8	42.0	34.5	51	22	30	24	68	KOR16/12SOMD71	400	
	16	14	10	44.0	36.0	54	24	30	27	69	KOR16/14SOMD71	400	
	20	06	4	46.0	39.0	54	22	36	17	70	KOR20/06SOMD71	400	
	20	08	5	46.0	39.0	54	22	36	19	70	KOR20/08SOMD71	400	
	20	10	7	46.0	38.5	55	22	36	22	100	KOR20/10SOMD71	400	
	20	12	8	46.0	38.5	55	22	36	24	101	KOR20/12SOMD71	400	
	20	14	10	48.0	40.0	58	24	36	27	101	KOR20/14SOMD71	400	
20	16	12	49.0	40.5	59	27	36	30	101	KOR20/16SOMD71	400		
25	06	4	50.5	43.5	58	27	46	17	106	KOR25/06SOMD71	400		
25	08	5	50.5	43.5	58	27	46	19	136	KOR25/08SOMD71	400		
25	10	7	50.5	43.0	59	27	46	22	136	KOR25/10SOMD71	400		
25	12	8	50.5	43.0	59	27	46	24	138	KOR25/12SOMD71	400		
25	14	10	52.5	44.5	62	27	46	27	138	KOR25/14SOMD71	400		
25	16	12	52.5	44.0	62	27	46	30	143	KOR25/16SOMD71	400		
25	20	16	54.5	44.0	66	32	46	36	143	KOR25/20SOMD71	400		
30	06	4	53.0	46.0	61	32	50	17	177	KOR30/06SOMD71	400		
30	08	5	53.0	46.0	61	32	50	19	179	KOR30/08SOMD71	400		
30	10	7	53.0	45.5	62	32	50	22	180	KOR30/10SOMD71	400		
30	12	8	53.0	45.5	62	32	50	24	180	KOR30/12SOMD71	400		
30	14	10	55.0	47.0	65	32	50	27	185	KOR30/14SOMD71	400		
30	16	12	55.0	46.5	65	32	50	30	184	KOR30/16SOMD71	400		
30	20	16	57.0	46.5	68	32	50	36	188	KOR30/20SOMD71	400		
30	25	20	60.0	48.0	72	41	50	46	302	KOR30/25SOMD71	400		
38	06	4	60.0	53.0	68	41	60	17	306	KOR38/06SOMD71	315		
38	08	5	60.0	53.0	68	41	60	19	305	KOR38/08SOMD71	315		
38	10	7	60.0	52.5	69	41	60	22	304	KOR38/10SOMD71	315		
38	12	8	60.0	52.5	69	41	60	24	308	KOR38/12SOMD71	315		
38	14	10	62.0	54.0	72	41	60	27	316	KOR38/14SOMD71	315		
38	16	12	62.0	53.5	72	41	60	30	310	KOR38/16SOMD71	315		
38	20	16	64.0	53.5	75	41	60	36	305	KOR38/20SOMD71	315		
38	25	20	66.0	54.0	78	41	60	46	455	KOR38/25SOMD71	315		
38	30	25	69.0	55.5	82	46	60	50	438	KOR38/30SOMD71	315		

¹⁾ Pressure shown = item deliverable

⁴⁾ S = heavy series

Delivery without nut and ring. Information on ordering complete fittings see page 17.

$$\frac{\text{PN (bar)}}{10} = \text{PN (MPa)}$$