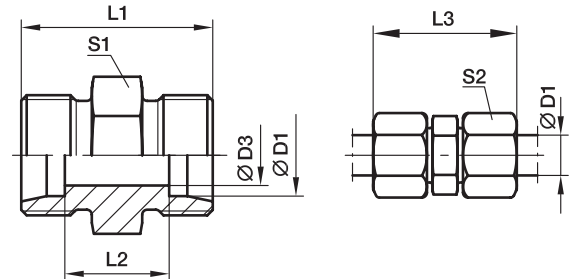


G Union

EO 24° cone end



Series	D1	D3	L1	L2	L3	S1	S2	Weight g/1 piece	Order code*	PN (bar) ¹⁾			
										CF	A3C	71	MS
LL ²⁾	04	3.0	20	12	31	9	10	5	G04LL	100	100	100	63
	06	4.5	20	9	32	11	12	7	G06LL	100	100	100	63
	08	6.0	23	12	35	12	14	10	G08LL	100	100	100	63
	10	8.0	23	12	35	14	17	13	G10LL	100	100	100	63
	12	10.0	23	11	35	17	19	16	G12LL	100	100	100	63
L ³⁾	06	4.0	24	10	39	12	14	12	G06L	500	315	315	200
	08	6.0	25	11	40	14	17	16	G08L	500	315	315	200
	10	8.0	27	13	42	17	19	23	G10L	500	315	315	200
	12	10.0	28	14	43	19	22	28	G12L	400	315	315	200
	15	12.0	30	16	46	24	27	51	G15L	400	315	315	200
	18	15.0	31	16	48	27	32	69	G18L	400	315	315	200
	22	19.0	35	20	52	32	36	90	G22L	250	160	160	100
	28	24.0	36	21	54	41	41	137	G28L	250	160	160	100
	35	30.0	41	20	63	46	50	214	G35L	250	160	160	100
	42	36.0	43	21	66	55	60	296	G42L	250	160	160	100
S ⁴⁾	06	4.0	30	16	45	14	17	26	G06S	800	630	630	400
	08	5.0	32	18	47	17	19	37	G08S	800	630	630	400
	10	7.0	32	17	49	19	22	44	G10S	800	630	630	400
	12	8.0	34	19	51	22	24	60	G12S	630	630	630	400
	14	10.0	38	22	57	24	27	77	G14S	630	630	630	400
	16	12.0	38	21	57	27	30	90	G16S	630	400	400	250
	20	16.0	44	23	66	32	36	143	G20S	420	400	400	250
	25	20.0	50	26	74	41	46	251	G25S	420	400	400	250
	30	25.0	54	27	80	46	50	330	G30S	420	400	400	250
	38	32.0	61	29	90	55	60	545	G38S	420	315	315	200

¹⁾ Pressure shown = item deliverable

²⁾ LL = very light series; ³⁾ L = light series; ⁴⁾ S = heavy series

$$\frac{\text{PN (bar)}}{10} = \text{PN (MPa)}$$

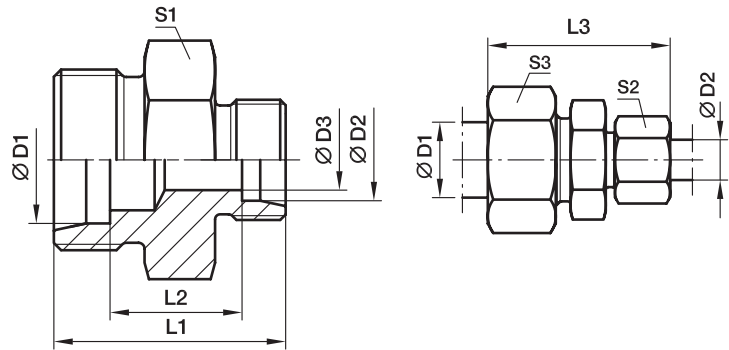
Delivery without nut and ring. Information on ordering complete fittings see page I7.

*Please add the **suffixes** below according to the material/surface required.

Order code suffixes		
Material	Suffix surface and material	Example
Steel, zinc plated, chrome ⁶ -free	CFX	G16SCFX
Steel, zinc yellow plated	A3CX	G16SA3CX
Stainless Steel	71X	G16S71X
Brass	MSX	G16SMSX

GR Straight reducer

EO 24° cone end



Series	D1	D2	D3	L1	L2	L3	S1	S2	S3	Weight g/1 piece	Order code*	PN (bar) ¹⁾			
												CF	A3C	71	MS
LL ²⁾	06	04	3.0	20	10.5	32	11	10	12	7	GR06/04LL	100	100	100	63
	08	04	3.0	22	12.5	34	12	10	14	9	GR08/04LL	100	100	100	63
	08	06	4.5	22	11.0	34	12	12	14	11	GR08/06LL	100	100	100	63
L ³⁾	08	06	4.0	25	11.0	40	14	14	17	16	GR08/06L	500	315	315	200
	10	06	4.0	26	12.0	41	17	14	19	21	GR10/06L	500	315	315	200
	10	08	6.0	26	12.0	41	17	17	19	21	GR10/08L	500	315	315	200
	12	06	4.0	27	13.0	42	19	14	22	26	GR12/06L	400	315	315	200
	12	08	6.0	27	13.0	42	19	17	22	26	GR12/08L	400	315	315	200
	12	10	8.0	28	14.0	43	19	19	22	29	GR12/10L	400	315	315	200
	15	10	8.0	29	15.0	45	24	19	27	46	GR15/10L	400	315	315	200
	15	12	10.0	29	15.0	45	24	22	27	45	GR15/12L	400	315	315	200
	18	10	8.0	30	15.5	46	27	19	32	65	GR18/10L	400	315	315	200
	18	12	10.0	30	15.5	46	27	22	32	64	GR18/12L	400	315	315	200
	18	15	12.0	31	16.5	48	27	27	32	65	GR18/15L	400	315	315	200
	22	12	10.0	32	17.5	48	32	22	36	80	GR22/12L	250	160	160	100
	22	15	12.0	33	18.5	50	32	27	36	89	GR22/15L	250	160	160	100
	22	18	15.0	33	18.0	50	32	32	36	89	GR22/18L	250	160	160	100
	28	18	15.0	34	19.0	52	41	32	41	142	GR28/18L	250	160	160	100
	28	22	19.0	36	21.0	54	41	36	41	139	GR28/22L	250	160	160	100
	35	22	19.0	39	21.0	59	46	36	50	202	GR35/22L	250	160	160	100
	35	28	24.0	39	21.0	59	46	41	50	206	GR35/28L	250	160	160	100
	42	35	30.0	43	21.5	66	55	50	60	330	GR42/35L	250	160	160	100
	S ⁴⁾	08	06	4.0	32	18.0	47	17	17	19	35	GR08/06S	800	630	630
10		06	4.0	32	17.5	48	19	17	22	41	GR10/06S	800	630	630	400
10		08	5.0	32	17.5	48	19	19	22	42	GR10/08S	800	630	630	400
12		06	4.0	34	19.5	50	22	17	24	56	GR12/06S	630	630	630	400
12		08	5.0	34	19.5	50	22	19	24	57	GR12/08S	630	630	630	400
12		10	7.0	34	19.0	51	22	22	24	59	GR12/10S	630	630	630	400
14		10	7.0	36	20.5	54	24	22	27	70	GR14/10S	630	630	630	400
14		12	8.0	36	20.5	54	24	24	27	72	GR14/12S	630	630	630	400
16		10	7.0	36	20.0	54	27	22	30	80	GR16/10S	630	400	400	250
16		12	8.0	36	20.0	54	27	24	30	87	GR16/12S	630	400	400	250
16		14	10.0	36	21.5	57	27	27	30	79	GR16/14S	630	400	400	250
20		10	7.0	40	22.0	60	32	22	36	129	GR20/10S	420	400	400	250
20		12	8.0	40	22.0	60	32	24	36	131	GR20/12S	420	400	400	250
20		16	12.0	42	23.0	63	32	30	36	134	GR20/16S	420	400	400	250
25		16	12.0	46	25.5	68	41	30	46	236	GR25/16S	420	400	400	250
25		20	16.0	48	25.5	71	41	36	46	235	GR25/20S	420	400	400	250
30		20	16.0	50	26.0	74	46	36	50	299	GR30/20S	420	400	400	250
30		25	20.0	52	26.5	77	46	46	50	317	GR30/25S	420	400	400	250
38	30	25	59	29.5	87	55	50	60	522	GR38/30S	420	315	315	200	

¹⁾ Pressure shown = item deliverable

²⁾ LL = very light series; ³⁾ L = light series; ⁴⁾ S = heavy series

$$\frac{\text{PN (bar)}}{10} = \text{PN (MPa)}$$

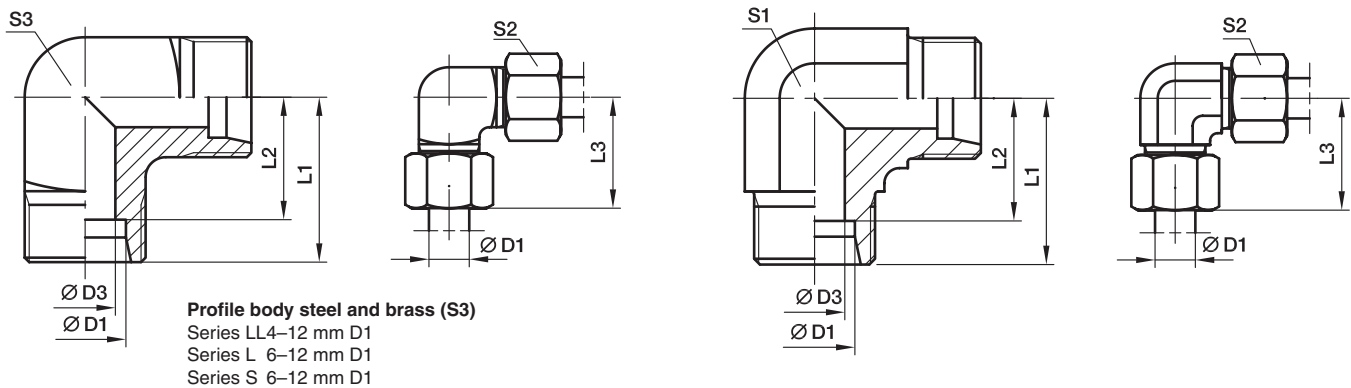
Delivery without nut and ring. Information on ordering complete fittings see page I7.

*Please add the **suffixes** below according to the material/surface required.

Order code suffixes		
Material	Suffix surface and material	Example
Steel, zinc plated, chrome ⁶ -free	CFX	GR16/12SCFX
Steel, zinc yellow plated	A3CX	GR16/12SA3CX
Stainless Steel	71X	GR16/12S71X
Brass	MSX	GR16/12SMSX

W Union elbow

EO 24° cone end



Series	D1	D3	L1	L2	L3	S1	S2	S3	Weight g/1 piece	Order code*	PN (bar) ¹⁾			
											CF	A3C	71	MS
LL ²⁾	04	3.0	15	11.0	21	9	10	9	13	W04LL	100	100	100	63
	06	4.5	15	9.5	21	9	12	11	15	W06LL	100	100	100	63
	08	6.0	17	11.5	23	12	14	12	23	W08LL	100	100	100	63
	10	8.0	18	12.5	24	12	17	14	32	W10LL	100	100	100	63
	12	10.0	19	13.0	25	14	19	17	41	W12LL	100	100	100	63
L ³⁾	06	4.0	19	12.0	27	12	14	12	29	W06L	500	315	315	200
	08	6.0	21	14.0	29	12	17	14	43	W08L	500	315	315	200
	10	8.0	22	15.0	30	14	19	17	54	W10L	500	315	315	200
	12	10.0	24	17.0	32	17	22	19	80	W12L	400	315	315	200
	15	12.0	28	21.0	36	19	27		81	W15L	400	315	315	200
	18	15.0	31	23.5	40	24	32		140	W18L	400	315	315	200
	22	19.0	35	27.5	44	27	36		178	W22L	250	160	160	100
	28	24.0	38	30.5	47	36	41		340	W28L	250	160	160	100
	35	30.0	45	34.5	56	41	50		458	W35L	250	160	160	100
	42	36.0	51	40.0	63	50	60		776	W42L	250	160	160	100
	S ⁴⁾	06	4.0	23	16.0	31	12	17	14	52	W06S	800	630	630
08		5.0	24	17.0	32	14	19	17	74	W08S	800	630	630	400
10		7.0	25	17.5	34	17	22	19	97	W10S	800	630	630	400
12		8.0	29	21.5	38	17	24	22	137	W12S	630	630	630	400
14		10.0	30	22.0	40	19	27		145	W14S	630	630	630	400
16		12.0	33	24.5	43	24	30		162	W16S	630	400	400	250
20		16.0	37	26.5	48	27	36		221	W20S	420	400	400	250
25		20.0	42	30.0	54	36	46		424	W25S	420	400	400	250
30		25.0	49	35.5	62	41	50		603	W30S	420	400	400	250
38		32.0	57	41.0	72	50	60		1010	W38S	420	315	315	200

¹⁾ Pressure shown = item deliverable

²⁾ LL = very light series; ³⁾ L = light series; ⁴⁾ S = heavy series

$\frac{\text{PN (bar)}}{10} = \text{PN (MPa)}$

Delivery without nut and ring. Information on ordering complete fittings see page I7.

*Please add the **suffixes** below according to the material/surface required.

Order code suffixes		
Material	Suffix surface and material	Example
Steel, zinc plated, chrome ⁶ -free	CFX	W16SCFX
Steel, zinc yellow plated	A3CX	W16SA3CX
Stainless Steel	71X	W16S71X
Brass	MSX	W16SMSX

T Union tee

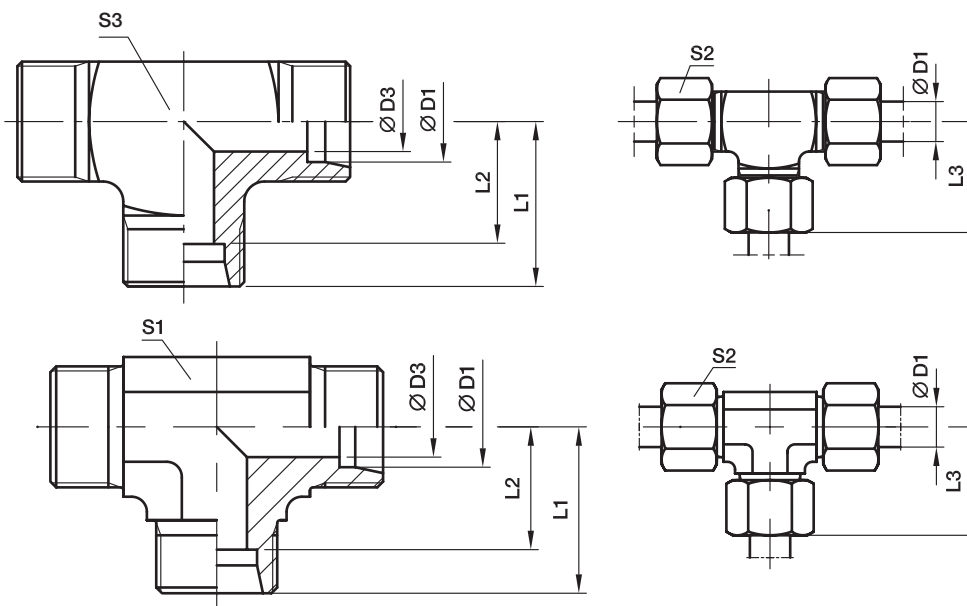
EO 24° cone end

profile body steel and brass (S3)

Series LL4-10 mm D1

Series L 6+ 8 mm D1

Series S 6 mm D1



Series	D1	D3	L1	L2	L3	S1	S2	S3	Weight g/1 piece	Order code*	PN (bar) ¹⁾			
											CF	A3C	71	MS
LL ²⁾	04	3.0	15	11.0	21	9	10	9	19	T04LL	100	100	100	63
	06	4.5	15	9.5	21	9	12	11	20	T06LL	100	100	100	63
	08	6.0	17	11.5	23	12	14	12	27	T08LL	100	100	100	63
	10	8.0	18	12.5	24	12	17	14	39	T10LL	100	100	100	63
	12	10.0	21	15.0	27	14	19	19	45	T12LL	100	100	100	63
L ³⁾	06	4.0	19	12.0	27	12	14	12	37	T06L	500	315	315	200
	08	6.0	21	14.0	29	12	17	14	53	T08L	500	315	315	200
	10	8.0	22	15.0	30	14	19		48	T10L	500	315	315	200
	12	10.0	24	17.0	32	17	22		65	T12L	400	315	315	200
	15	12.0	28	21.0	36	19	27		106	T15L	400	315	315	200
	18	15.0	31	23.5	40	24	32		179	T18L	400	315	315	200
	22	19.0	35	27.5	44	27	36		225	T22L	250	160	160	100
	28	24.0	38	30.5	47	36	41		396	T28L	250	160	160	100
	35	30.0	45	34.5	56	41	50		567	T35L	250	160	160	100
	42	36.0	51	40.0	63	50	60		905	T42L	250	160	160	100
S ⁴⁾	06	4.0	23	16.0	31	12	17	14	68	T06S	800	630	630	400
	08	5.0	24	17.0	32	14	19		70	T08S	800	630	630	400
	10	7.0	25	17.5	34	17	22		91	T10S	800	630	630	400
	12	8.0	29	21.5	38	17	24		117	T12S	630	630	630	400
	14	10.0	30	22.0	40	19	27		136	T14S	630	630	630	400
	16	12.0	33	24.5	43	24	30		202	T16S	630	400	400	250
	20	16.0	37	26.5	48	27	36		289	T20S	420	400	400	250
	25	20.0	42	30.0	54	36	46		545	T25S	420	400	400	250
	30	25.0	49	35.5	62	41	50		758	T30S	420	400	400	250
	38	32.0	57	41.0	72	50	60		1264	T38S	420	315	315	200

¹⁾ Pressure shown = item deliverable

²⁾ LL = very light series; ³⁾ L = light series; ⁴⁾ S = heavy series

$$\frac{\text{PN (bar)}}{10} = \text{PN (MPa)}$$

Delivery without nut and ring. Information on ordering complete fittings see page 17.

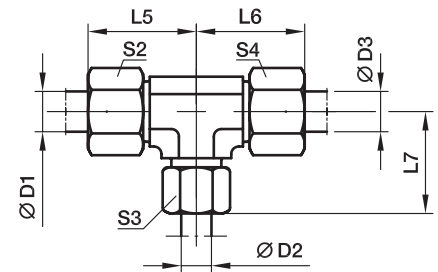
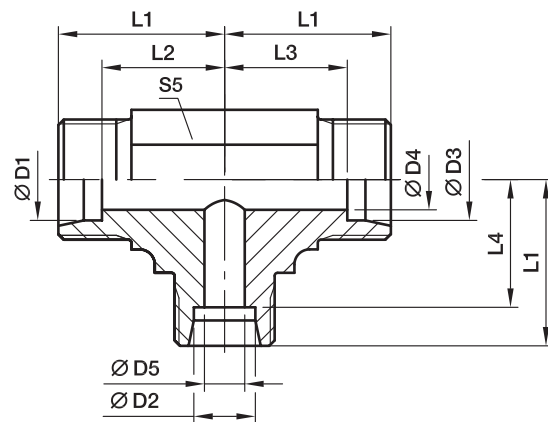
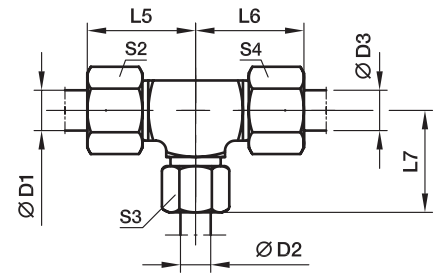
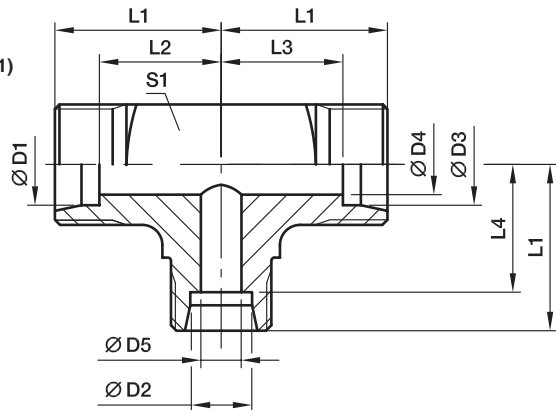
*Please add the **suffixes** below according to the material/surface required.

Order code suffixes		
Material	Suffix surface and material	Example
Steel, zinc plated, chrome ⁶ -free	CFX	T16SCFX
Steel, zinc yellow plated	A3CX	T16SA3CX
Stainless Steel	71X	T16S71X
Brass	MSX	T16SMSX

TR Tee Reducer

EO 24° cone end

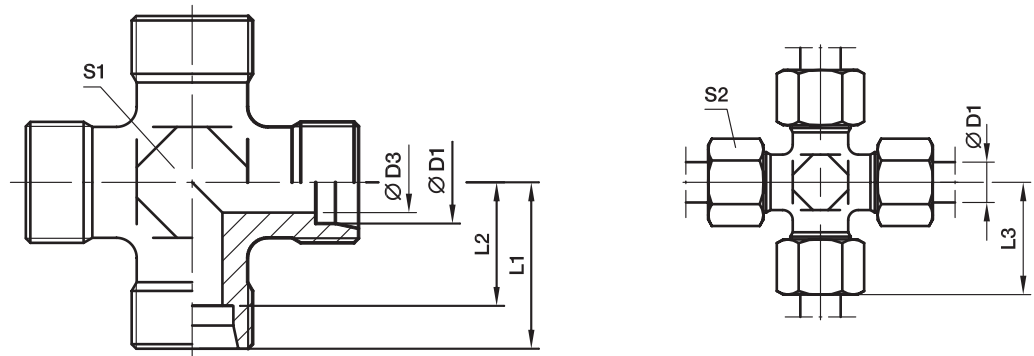
Profile body steel and brass (S1)
 Series LL 4-8 mm D1, D2, D3
 Series L 6+8 mm D1, D2, D3



Series	D1, D2, D3			D4	D5	L1	L2	L3	L4	L5	L6	L7	S1	S2	S3	S4	S5	Weight g/1 piece	Order code*	PN (bar) ¹⁾			
	●	●	●																	CF	A3C	71	MS
LL ²⁾	04	08	04	3.0	6	17	13.0	13.0	11.5	23	23	23	12	10	14	10	12	27	TR04/08/04LL	100	100	100	63
	06	04	06	4.5	3	15	9.5	9.5	11.0	21	21	21	11	12	10	12	9	18	TR06/04/06LL	100	100	100	63
L ³⁾	06	08	06	4.0	6	21	14.0	14.0	14.0	29	29	29	14	14	17	14	12	54	TR06/08/06L	500	315	315	200
	08	06	08	6.0	4	21	14.0	14.0	14.0	29	29	29	14	17	14	17	12	53	TR08/06/08L	500	315	315	200
	06	10	06	4.0	8	22	15.0	15.0	15.0	30	30	30		14	19	14	14	53	TR06/10/06L	500	315	315	200
	08	10	08	6.0	8	22	15.0	15.0	15.0	30	30	30		17	19	17	14	50	TR08/10/08L	500	315	315	200
	10	06	10	8.0	4	22	15.0	15.0	15.0	30	30	30		19	14	19	14	46	TR10/06/10L	500	315	315	200
	10	08	10	8.0	6	22	15.0	15.0	15.0	30	30	30		19	17	19	14	43	TR10/08/10L	500	315	315	200
	10	10	06	4.0	8	22	15.0	15.0	15.0	30	30	30		19	19	14	14	49	TR10/10/06L	500	315	315	200
	08	12	08	6.0	10	24	17.0	17.0	17.0	32	32	32		17	22	17	17	67	TR08/12/08L	400	315	315	200
	12	06	12	10.0	4	24	17.0	17.0	17.0	32	32	32		22	14	22	17	66	TR12/06/12L	400	315	315	200
	12	08	08	6.0	6	24	17.0	17.0	17.0	32	32	32		22	17	17	17	66	TR12/08/08L	400	315	315	200
	12	08	12	10.0	6	24	17.0	17.0	17.0	32	32	32		22	17	22	17	68	TR12/08/12L	400	315	315	200
	12	10	10	8.0	8	24	17.0	17.0	17.0	32	32	32		22	19	19	17	67	TR12/10/10L	400	315	315	200
	12	10	12	10.0	8	24	17.0	17.0	17.0	32	32	32		22	19	22	17	67	TR12/10/12L	400	315	315	200
	12	12	10	8.0	10	24	17.0	17.0	17.0	32	32	32		22	22	19	17	64	TR12/12/10L	400	315	315	200
	10	15	10	8.0	12	28	21.0	21.0	21.0	36	36	36		19	27	19	19	105	TR10/15/10L	400	315	315	200
	12	15	12	10.0	12	28	21.0	21.0	21.0	36	36	36		22	27	22	19	102	TR12/15/12L	400	315	315	200
	15	06	15	12.0	4	28	21.0	21.0	21.0	36	36	36		27	14	27	19	107	TR15/06/15L	400	315	315	200
	15	10	15	12.0	8	28	21.0	21.0	21.0	36	36	36		27	19	27	19	105	TR15/10/15L	400	315	315	200
	15	12	12	10.0	10	28	21.0	21.0	21.0	36	36	36		27	22	22	19	101	TR15/12/12L	400	315	315	200
	15	12	15	12.0	10	28	21.0	21.0	21.0	36	36	36		27	22	27	19	105	TR15/12/15L	400	315	315	200
15	15	12	10.0	12	28	21.0	21.0	21.0	36	36	36		27	27	22	19	103	TR15/15/12L	400	315	315	200	
12	18	12	10.0	15	31	24.0	24.0	23.5	39	39	40		22	32	22	24	177	TR12/18/12L	400	315	315	200	
18	10	10	8.0	8	31	23.5	24.0	24.0	40	39	39		32	19	19	24	173	TR18/10/10L	400	315	315	200	
18	10	18	15.0	8	31	23.5	23.5	24.0	40	40	39		32	19	32	24	182	TR18/10/18L	400	315	315	200	
18	12	18	15.0	10	31	23.5	23.5	24.0	40	40	39		32	22	32	24	174	TR18/12/18L	400	315	315	200	

K Union cross

EO 24° cone end



Series	D1	D3	L1	L2	L3	S1	S2	Weight g/1 piece	Order code*	PN (bar) ¹⁾				
										CF	A3C	71	MS	
LL ²⁾	04	3.0	15	11.0	21	9	10	13	K04LL	100	100	100	63	
	06	4.5	15	9.5	21	9	12	14	K06LL	100	100	100	63	
	08	6.0	17	11.5	23	12	14	24	K08LL	100	100	100	63	
L ³⁾	06	4.0	19	12.0	27	12	14	35	K06L	315	315	315	200	
	08	6.0	21	14.0	29	12	17	40	K08L	315	315	315	200	
	10	8.0	22	15.0	30	14	19	52	K10L	315	315	315	200	
	12	10.0	24	17.0	32	17	22	69	K12L	315	315	315	200	
	15	12.0	28	21.0	36	19	27	130	K15L	315	315	315	200	
	18	15.0	31	23.5	40	24	32	188	K18L	315	315	315	200	
	22	19.0	35	27.5	44	27	36	251	K22L	160	160	160	100	
	28	24.0	38	30.5	47	36	41	392	K28L	160	160	160	100	
	35	30.0	45	34.5	56	41	50	618	K35L	160	160	160	100	
	42	36.0	51	40.0	63	50	60	905	K42L	160	160	160	100	
	S ⁴⁾	06	4.0	23	16.0	31	12	17	58	K06S	630	630	630	400
		08	5.0	24	17.0	32	14	19	82	K08S	630	630	630	400
10		7.0	25	17.5	34	17	22	97	K10S	630	630	630	400	
12		8.0	29	21.5	38	17	24	146	K12S	630	630	630	400	
14		10.0	30	22.0	40	19	27	176	K14S	400	400	400	250	
16		12.0	33	24.5	43	24	30	220	K16S	400	400	400	250	
20		16.0	37	26.5	48	27	36	339	K20S	315	315	315	200	
25		20.0	42	30.0	54	36	46	576	K25S	315	315	315	200	
30		25.0	49	35.5	62	41	50	843	K30S	315	315	315	200	
38		32.0	57	41.0	72	50	60	1350	K38S	315	315	315	200	

¹⁾ Pressure shown = item deliverable

²⁾ LL = very light series; ³⁾ L = light series; ⁴⁾ S = heavy series

$$\frac{\text{PN (bar)}}{10} = \text{PN (MPa)}$$

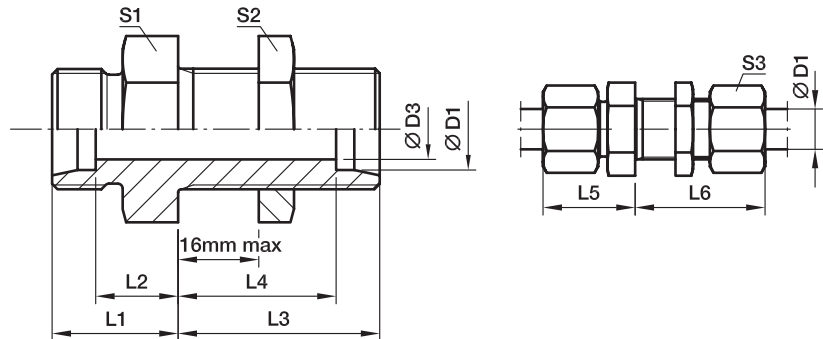
Delivery without nut and ring. Information on ordering complete fittings see page 17.

*Please add the **suffixes** below according to the material/surface required.

Order code suffixes		
Material	Suffix surface and material	Example
Steel, zinc plated, chrome ⁶ -free	CFX	K16SCFX
Steel, zinc yellow plated	A3CX	K16SA3CX
Stainless Steel	71X	K16S71X
Brass	MSX	K16SMSX

SV Bulkhead union

EO 24° cone end



Series	D1	D3	L1	L2	L3	L4	L5	L6	S1	S2	S3	Weight g/1 piece	Order code*	PN (bar) ¹⁾			
														CF	A3C	71	MS
L ³⁾	06	4	14	7.0	34	27.0	22	42	17	17	14	39	SV06LOMD	500	315	315	200
	08	6	15	8.0	34	27.0	23	42	19	19	17	50	SV08LOMD	500	315	315	200
	10	8	17	10.0	35	28.0	25	43	22	22	19	67	SV10LOMD	500	315	315	200
	12	10	17	10.0	36	29.0	25	44	24	24	22	78	SV12LOMD	400	315	315	200
	15	12	19	12.0	38	31.0	27	46	27	30	27	128	SV15LOMD	400	315	315	200
	18	15	21	13.5	40	32.5	30	49	32	36	32	198	SV18LOMD	400	315	315	200
	22	19	24	16.5	42	34.5	33	51	36	41	36	254	SV22LOMD	250	160	160	100
	28	24	26	18.5	43	35.5	35	52	41	46	41	335	SV28LOMD	250	160	160	100
	35	30	29	18.5	47	36.5	40	58	50	55	50	546	SV35LOMD	250	160	160	
	42	36	30	19.0	47	36.0	42	59	60	65	60	758	SV42LOMD	250	160	160	
S ⁴⁾	06	4	19	12.0	36	29.0	27	44	19	19	17	65	SV06SOMD	800	630	630	400
	08	5	20	13.0	36	29.0	28	44	22	22	19	87	SV08SOMD	800	630	630	400
	10	7	22	14.5	37	29.5	31	46	24	24	22	112	SV10SOMD	800	630	630	400
	12	8	22	14.5	38	30.5	31	47	27	27	24	141	SV12SOMD	630	630	630	400
	14	10	25	17.0	40	32.0	35	50	30	30	27	180	SV14SOMD	630	630	630	
	16	12	25	16.5	40	31.5	35	50	32	32	30	201	SV16SOMD	630	400	400	250
	20	16	28	17.5	44	33.5	39	55	41	41	36	462	SV20SOMD	420	400	400	250
	25	20	32	20.0	47	35.0	44	59	46	46	46	492	SV25SOMD	420	400	400	250
	30	25	35	21.5	51	37.5	48	64	50	50	50	631	SV30SOMD	420	400	400	250
	38	32	38	22.0	53	37.0	53	68	65	65	60	1083	SV38SOMD	420	315	315	

¹⁾ Pressure shown = item deliverable

³⁾ L = light series; ⁴⁾ S = heavy series

$$\frac{\text{PN (bar)}}{10} = \text{PN (MPa)}$$

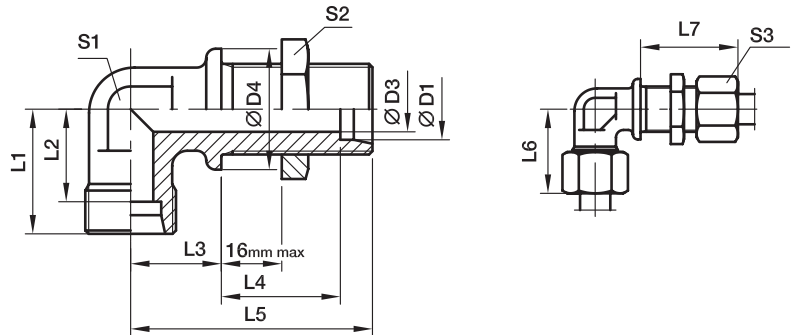
Delivery without nut and ring. Information on ordering complete fittings see page 17.

*Please add the **suffixes** below according to the material/surface required.

Order code suffixes		
Material	Suffix surface and material	Example
Steel, zinc plated, chrome ⁶ -free	CF	SV16SOMDCF
Steel, zinc yellow plated	A3C	SV16SOMDA3C
Stainless Steel	71	SV16SOMD71
Brass	MS	SV16SOMDMS

WSV Bulkhead elbow

EO 24° cone end



Series	D1	D3	D4	L1	L2	L3	L4	L5	L6	L7	S1	S2	S3	Weight g/1 piece	Order code*	PN (bar) ¹⁾			
																CF	A3C	71	MS
L ³⁾	06	4	17	19	12.0	14	27.0	48	27	42	12	17	14	51	WSV06LOMD	315	315	315	200
	08	6	19	21	14.0	17	27.0	51	29	42	12	19	17	61	WSV08LOMD	315	315	315	200
	10	8	22	22	15.0	18	28.0	53	30	43	14	22	19	78	WSV10LOMD	315	315	315	200
	12	10	24	24	17.0	20	29.0	56	32	44	17	24	22	85	WSV12LOMD	315	315	315	200
	15	12	27	28	21.0	23	31.0	61	36	46	19	30	27	150	WSV15LOMD	315	315	315	200
	18	15	32	31	23.5	24	32.5	64	40	49	24	36	32	238	WSV18LOMD	315	315	315	200
	22	19	36	35	27.5	30	34.5	72	44	51	27	41	36	327	WSV22LOMD	160	160	160	
	28	24	42	38	30.5	34	35.5	77	47	52	36	46	41	482	WSV28LOMD	160	160	160	
	35	30	50	45	34.5	39	36.5	86	56	58	41	55	50	729	WSV35LOMD	160	160	160	
	42	36	60	51	40.0	43	36.0	90	63	59	50	65	60	1091	WSV42LOMD	160	160	160	
S ⁴⁾	06	4	19	23	16.0	17	29.0	53	31	44	12	19	17	72	WSV06SOMD	630	630	630	
	08	5	22	24	17.0	18	29.0	54	32	44	14	22	19	99	WSV08SOMD	630	630	630	
	10	7	24	25	17.5	20	29.5	57	34	46	17	24	22	128	WSV10SOMD	630	630	630	
	12	8	27	29	21.5	21	30.5	59	38	47	17	27	24	168	WSV12SOMD	630	630	630	
	14	10	27	30	22.0	23	32.0	63	40	50	19	30	27	194	WSV14SOMD	630	630	630	
	16	12	30	33	24.5	24	31.5	64	43	50	24	32	30	249	WSV16SOMD	400	400	400	
	20	16	36	37	26.5	30	33.5	74	48	55	27	41	36	390	WSV20SOMD	400	400	400	
	25	20	42	42	30.0	34	35.0	81	54	59	36	46	46	618	WSV25SOMD	400	400	400	
	30	25	50	49	35.5	39	37.5	90	62	64	41	50	50	889	WSV30SOMD	400	400	400	
	38	32	60	57	41.0	43	37.0	96	72	68	50	65	60	1337	WSV38SOMD	315	315	315	

¹⁾ Pressure shown = item deliverable

³⁾ L = light series; ⁴⁾ S = heavy series

$\frac{PN(\text{bar})}{10} = PN(\text{MPa})$

Delivery without nut and ring. Information on ordering complete fittings see page 17.

*Please add the **suffixes** below according to the material/surface required.

Order code suffixes		
Material	Suffix surface and material	Example
Steel, zinc plated, chrome ⁶ -free	CF	WSV16SOMDCF
Steel, zinc yellow plated	A3C	WSV16SOMDA3C
Stainless Steel	71	WSV16SOMD71
Brass	MS	WSV18LOMDMS