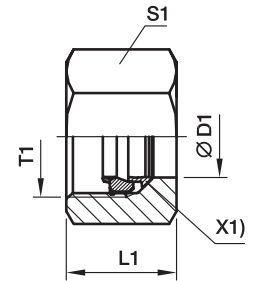


FM EO2-Functional nut

for steel tubes



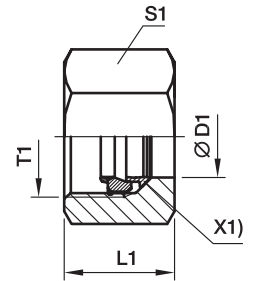
X1) Retaining ring

Series	D1	T1	L1	S1	Order code								Weight g/1 piece
					FM...CF Steel, zinc plated Cr6 free passiv. +Sealing		FM...VITCF Steel, zinc plated Cr6 free passiv. +Sealing		FM...A3C Steel, zinc yellow plated A3C		FM...VITA3C Steel, zinc yellow plated A3C		
					Sealing NBR	PN (bar)	Sealing FKM	PN (bar)	Sealing NBR	PN (bar)	Sealing FKM	PN (bar)	
LL	04	M8×1	11.0	10	—	—	—	—	FM04LLA3C	100	—	—	5
	06	M10×1	11.5	12	—	—	—	—	FM06LLA3C	100	—	—	6
L	06	M12×1.5	14.5	14	FM06LCF	500	FM06LVITCF	500	FM06LA3C	315	FM06LVITA3C	315	12
	08	M14×1.5	14.5	17	FM08LCF	500	FM08LVITCF	500	FM08LA3C	315	FM08LVITA3C	315	17
	10	M16×1.5	15.5	19	FM10LCF	500	FM10LVITCF	500	FM10LA3C	315	FM10LVITA3C	315	22
	12	M18×1.5	15.5	22	FM12LCF	400	FM12LVITCF	400	FM12LA3C	315	FM12LVITA3C	315	30
	15	M22×1.5	17.0	27	FM15LCF	400	FM15LVITCF	400	FM15LA3C	315	FM15LVITA3C	315	48
	18	M26×1.5	18.0	32	FM18LCF	400	FM18LVITCF	400	FM18LA3C	315	FM18LVITA3C	315	70
	22	M30×2	20.0	36	FM22LCF	250	FM22LVITCF	250	FM22LA3C	160	FM22LVITA3C	160	94
	28	M36×2	21.0	41	FM28LCF	250	FM28LVITCF	250	FM28LA3C	160	FM28LVITA3C	160	106
	35	M45×2	24.0	50	FM35LCF	250	FM35LVITCF	250	FM35LA3C	160	FM35LVITA3C	160	160
	42	M52×2	24.0	60	FM42LCF	250	FM42LVITCF	250	FM42LA3C	160	FM42LVITA3C	160	244
S	06	M14×1.5	16.5	17	FM06SCF	800	FM06SVITCF	800	FM06SA3C	630	FM06SVITA3C	630	20
	08	M16×1.5	16.5	19	FM08SCF	800	FM08SVITCF	800	FM08SA3C	630	FM08SVITA3C	630	23
	10	M18×1.5	17.5	22	FM10SCF	800	FM10SVITCF	800	FM10SA3C	630	FM10SVITA3C	630	37
	12	M20×1.5	17.5	24	FM12SCF	630	FM12SVITCF	630	FM12SA3C	630	FM12SVITA3C	630	39
	14	M22×1.5	20.5	27	FM14SCF	630	FM14SVITCF	630	FM14SA3C	630	FM14SVITA3C	630	60
	16	M24×1.5	20.5	30	FM16SCF	630	FM16SVITCF	630	FM16SA3C	400	FM16SVITA3C	400	72
	20	M30×2	24.0	36	FM20SCF	420	FM20SVITCF	420	FM20SA3C	400	FM20SVITA3C	400	121
	25	M36×2	27.0	46	FM25SCF	420	FM25SVITCF	420	FM25SA3C	400	FM25SVITA3C	400	221
	30	M42×2	29.0	50	FM30SCF	420	FM30SVITCF	420	FM30SA3C	400	FM30SVITA3C	400	248
	38	M52×2	32.5	60	FM38SCF	420	FM38SVITCF	420	FM38SA3C	315	FM38SVITA3C	315	367

$$\frac{\text{PN (bar)}}{10} = \text{PN (MPa)}$$

FM EO2-Functional nut

for stainless steel tubes



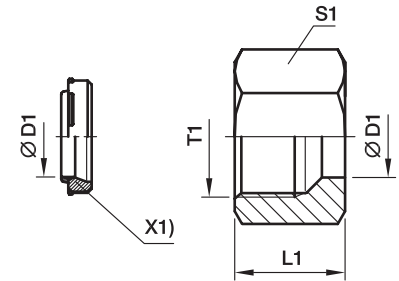
X1) Retaining ring

Series	D1 	T1	L1	S1	Order code								Weight g/1 piece
					FM...71 Stainless Steel		FM...NBR71 Stainless Steel		FM...SSA Steel, zinc plated Cr6 free passiv. +Sealing, Retaining ring: Stainless Steel		FM...VITSSA Steel, zinc plated Cr6 free passiv. +Sealing, Retaining ring: Stainless Steel		
					Sealing FKM	PN (bar)	Sealing NBR	PN (bar)	Sealing NBR	PN (bar)	Sealing FKM	PN (bar)	
LL	04	M8×1	11.0	10	—	—	—	—	FM04LLASSA	100	—	—	5
	06	M10×1	11.5	12	—	—	—	—	FM06LLSSA	100	—	—	6
L	06	M12×1.5	14.5	14	FM06L71	315	FM06LNBR71	315	FM06LSSA	315	FM06LVITSSA	315	12
	08	M14×1.5	14.5	17	FM08L71	315	FM08LNBR71	315	FM08LSSA	315	FM08LVITSSA	315	17
	10	M16×1.5	15.5	19	FM10L71	315	FM10LNBR71	315	FM10LSSA	315	FM10LVITSSA	315	22
	12	M18×1.5	15.5	22	FM12L71	315	FM12LNBR71	315	FM12LSSA	315	FM12LVITSSA	315	30
	15	M22×1.5	17.0	27	FM15L71	315	FM15LNBR71	315	FM15LSSA	315	FM15LVITSSA	315	48
	18	M26×1.5	18.0	32	FM18L71	315	FM18LNBR71	315	FM18LSSA	315	FM18LVITSSA	315	70
	22	M30×2	20.0	36	FM22L71	160	FM22LNBR71	160	FM22LSSA	160	FM22LVITSSA	160	94
	28	M36×2	21.0	41	FM28L71	160	FM28LNBR71	160	FM28LSSA	160	FM28LVITSSA	160	106
	35	M45×2	24.0	50	FM35L71	160	FM35LNBR71	160	FM35LSSA	160	FM35LVITSSA	160	160
	42	M52×2	24.0	60	FM42L71	160	FM42LNBR71	160	FM42LSSA	160	FM42LVITSSA	160	244
S	06	M14×1.5	16.5	17	FM06S71	630	FM06SNBR71	630	FM06SSSA	630	FM06SVITSSA	630	20
	08	M16×1.5	16.5	19	FM08S71	630	FM08SNBR71	630	FM08SSSA	630	FM08SVITSSA	630	23
	10	M18×1.5	17.5	22	FM10S71	630	FM10SNBR71	630	FM10SSSA	630	FM10SVITSSA	630	37
	12	M20×1.5	17.5	24	FM12S71	630	FM12SNBR71	630	FM12SSSA	630	FM12SVITSSA	630	39
	14	M22×1.5	20.5	27	FM14S71	630	FM14SNBR71	630	FM14SSSA	630	FM14SVITSSA	630	60
	16	M24×1.5	20.5	30	FM16S71	400	FM16SNBR71	400	FM16SSSA	400	FM16SVITSSA	400	72
	20	M30×2	24.0	36	FM20S71	400	FM20SNBR71	400	FM20SSSA	400	FM20SVITSSA	400	121
	25	M36×2	27.0	46	FM25S71	400	FM25SNBR71	400	FM25SSSA	400	FM25SVITSSA	400	221
30	M42×2	29.0	50	FM30S71	400	FM30SNBR71	400	FM30SSSA	400	FM30SVITSSA	400	248	
38	M52×2	32.5	60	FM38S71	315	FM38SNBR71	315	FM38SSSA	315	FM38SVITSSA	315	367	

$$\frac{\text{PN (bar)}}{10} = \text{PN (MPa)}$$

EO2-FORM Functional Nut

for steel tubes

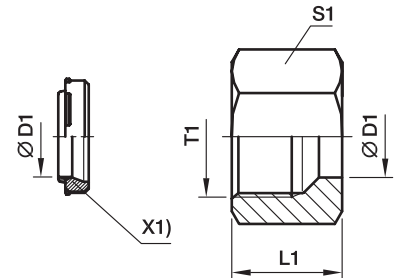


X1) Sealing (DOZ)

Series	D1	T1	L1	S1	Order code				Weight g/1 piece	
					FORM...CF Steel, zinc plated Cr6 free passiv. +Sealing	FORM...VITCF Steel, zinc plated Cr6 free passiv. +Sealing	FORM...A3C Steel, zinc yellow plated A3C	FORM...VITA3C Steel, zinc yellow plated A3C		Sealing NBR
L	06	M12×1.5	14.5	14	FORM06LCF	FORM06LVITCF	FORM06LA3C	FORM06LVITA3C	11	
	08	M14×1.5	14.5	17	FORM08LCF	FORM08LVITCF	FORM08LA3C	FORM08LVITA3C	16	
	10	M16×1.5	15.5	19	FORM10LCF	FORM10LVITCF	FORM10LA3C	FORM10LVITA3C	20	
	12	M18×1.5	15.5	22	FORM12LCF	FORM12LVITCF	FORM12LA3C	FORM12LVITA3C	27	
	15	M22×1.5	17.0	27	FORM15LCF	FORM15LVITCF	FORM15LA3C	FORM15LVITA3C	45	
	18	M26×1.5	18.0	32	FORM18LCF	FORM18LVITCF	FORM18LA3C	FORM18LVITA3C	67	
	22	M30×2	20.0	36	FORM22LCF	FORM22LVITCF	FORM22LA3C	FORM22LVITA3C	88	
	28	M36×2	21.0	41	FORM28LCF	FORM28LVITCF	FORM28LA3C	FORM28LVITA3C	99	
	35	M45×2	24.0	50	FORM35LCF	FORM35LVITCF	FORM35LA3C	FORM35LVITA3C	162	
	42	M52×2	24.0	60	FORM42LCF	FORM42LVITCF	FORM42LA3C	FORM42LVITA3C	233	
	S	06	M14×1.5	16.5	17	FORM06SCF	FORM06SVITCF	FORM06SA3C	FORM06SVITA3C	19
		08	M16×1.5	16.5	19	FORM08SCF	FORM08SVITCF	FORM08SA3C	FORM08SVITA3C	22
		10	M18×1.5	17.5	22	FORM10SCF	FORM10SVITCF	FORM10SA3C	FORM10SVITA3C	34
		12	M20×1.5	17.5	24	FORM12SCF	FORM12SVITCF	FORM12SA3C	FORM12SVITA3C	38
14		M22×1.5	20.5	27	FORM14SCF	FORM14SVITCF	FORM14SA3C	FORM14SVITA3C	57	
16		M24×1.5	20.5	30	FORM16SCF	FORM16SVITCF	FORM16SA3C	FORM16SVITA3C	71	
20		M30×2	24.0	36	FORM20SCF	FORM20SVITCF	FORM20SA3C	FORM20SVITA3C	115	
25		M36×2	27.0	46	FORM25SCF	FORM25SVITCF	FORM25SA3C	FORM25SVITA3C	216	
30		M42×2	29.0	50	FORM30SCF	FORM30SVITCF	FORM30SA3C	FORM30SVITA3C	242	
38		M52×2	32.5	60	FORM38SCF	FORM38SVITCF	FORM38SA3C	FORM38SVITA3C	366	

EO2-FORM Functional Nut

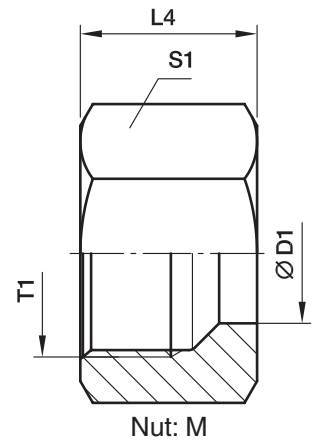
for stainless steel tubes



X1) Sealing (DOZ)

Series	D1	T1	L1	S1	Order code				Weight g/1 piece
					FORM...71 Stainless Steel Sealing FKM	FORM...NBR71 Stainless Steel Sealing NBR	FORM...CF Steel, zinc plated Cr6 free passiv. +Sealing Sealing NBR	FORM...VITCF Steel, zinc Cr6 free passiv. +Sealing Sealing FKM	
L	06	M12×1.5	14.5	14	FORM06L71	FORM06LNBR71	FORM06LCF	FORM06LVITCF	11
	08	M14×1.5	14.5	17	FORM08L71	FORM08LNBR71	FORM08LCF	FORM08LVITCF	16
	10	M16×1.5	15.5	19	FORM10L71	FORM10LNBR71	FORM10LCF	FORM10LVITCF	21
	12	M18×1.5	15.5	22	FORM12L71	FORM12LNBR71	FORM12LCF	FORM12LVITCF	27
	15	M22×1.5	17.0	27	FORM15L71	FORM15LNBR71	FORM15LCF	FORM15LVITCF	46
	18	M26×1.5	18.0	32	FORM18L71	FORM18LNBR71	FORM18LCF	FORM18LVITCF	68
	22	M30×2	20.0	36	FORM22L71	FORM22LNBR71	FORM22LCF	FORM22LVITCF	89
	28	M36×2	21.0	41	FORM28L71	FORM28LNBR71	FORM28LCF	FORM28LVITCF	101
	35	M45×2	24.0	50	FORM35L71	FORM35LNBR71	FORM35LCF	FORM35LVITCF	165
	42	M52×2	24.0	60	FORM42L71	FORM42LNBR71	FORM42LCF	FORM42LVITCF	237
S	06	M14×1.5	16.5	17	FORM06S71	FORM06SNBR71	FORM06SCF	FORM06SVITCF	19
	08	M16×1.5	16.5	19	FORM08S71	FORM08SNBR71	FORM08SCF	FORM08SVITCF	22
	10	M18×1.5	17.5	22	FORM10S71	FORM10SNBR71	FORM10SCF	FORM10SVITCF	35
	12	M20×1.5	17.5	24	FORM12S71	FORM12SNBR71	FORM12SCF	FORM12SVITCF	39
	14	M22×1.5	20.5	27	FORM14S71	FORM14SNBR71	FORM14SCF	FORM14SVITCF	58
	16	M24×1.5	20.5	30	FORM16S71	FORM16SNBR71	FORM16SCF	FORM16SVITCF	71
	20	M30×2	24.0	36	FORM20S71	FORM20SNBR71	FORM20SCF	FORM20SVITCF	117
	25	M36×2	27.0	46	FORM25S71	FORM25SNBR71	FORM25SCF	FORM25SVITCF	219
	30	M42×2	29.0	50	FORM30S71	FORM30SNBR71	FORM30SCF	FORM30SVITCF	246
	38	M52×2	32.5	60	FORM38S71	FORM38SNBR71	FORM38SCF	FORM38SVITCF	372

M Nut · EO 24° Cone end



Nut: M

Series	D1 	T1	L4	S1	Weight g/1 piece	Order code*	PN (bar) ¹⁾			
							CF	A3C	71	MS
LL ²⁾	04	M8×1	11.0	10	4	M04LL	100	100	100	63
	06	M10×1	11.5	12	6	M06LL	100	100	100	63
	08	M12×1	12.0	14	7	M08LL	100	100	100	63
	10	M14×1	12.5	17	11	M10LL	100	100	100	63
	12	M16×1	13.0	19	13	M12LL	100	100	100	63
L ³⁾	06	M12×1.5	14.5	14	10	M06L	500	315	315	200
	08	M14×1.5	14.5	17	15	M08L	500	315	315	200
	10	M16×1.5	15.5	19	18	M10L	500	315	315	200
	12	M18×1.5	15.5	22	25	M12L	400	315	315	200
	15	M22×1.5	17.0	27	42	M15L	400	315	315	200
	18	M26×1.5	18.0	32	62	M18L	400	315	315	200
	22	M30×2	20.0	36	82	M22L	250	160	160	100
	28	M36×2	21.0	41	89	M28L	250	160	160	100
	35	M45×2	24.0	50	137	M35L	250	160	160	100
	42	M52×2	24.0	60	216	M42L	250	160	160	100
S ⁴⁾	06	M14×1.5	16.5	17	17	M06S	800	630	630	400
	08	M16×1.5	16.5	19	20	M08S	800	630	630	400
	10	M18×1.5	17.5	22	31	M10S	800	630	630	400
	12	M20×1.5	17.5	24	34	M12S	630	630	630	400
	14	M22×1.5	20.5	27	53	M14S	630	630	630	400
	16	M24×1.5	20.5	30	66	M16S	630	400	400	250
	20	M30×2	24.0	36	102	M20S	420	400	400	250
	25	M36×2	27.0	46	202	M25S	420	400	400	250
	30	M42×2	29.0	50	219	M30S	420	400	400	250
	38	M52×2	32.5	60	339	M38S	420	315	315	200

¹⁾ Pressure shown = item deliverable

²⁾ LL = very light series; ³⁾ L = light series; ⁴⁾ S = heavy series

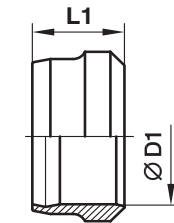
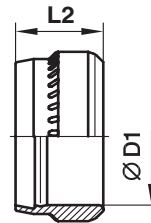
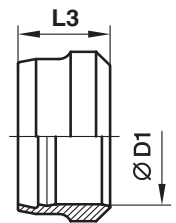
$$\frac{PN \text{ (bar)}}{10} = PN \text{ (MPa)}$$

*Please add the **suffixes** below according to the material/surface required.

Order code suffixes		
Material	Suffix surface and material	Example
Steel, zinc plated, chrome ⁶ -free	CFX	M16SCFX
Steel, zinc yellow plated	A3CX	M16SA3CX
Stainless Steel	71X	M16S71X
Brass	MSX	M16SMSX

PSR Progressive stop ring · DPR Progressive ring · D Cutting ring

for EO 24° cone end

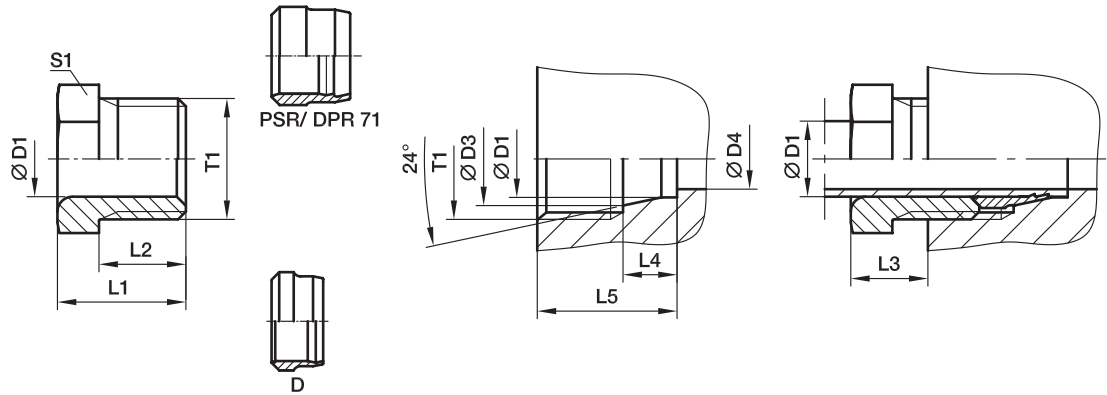

 Cutting ring:
D

 Progressive stop ring:
PSR

 Progressive ring:
DPR

Series	D1	Cutting ring D						Progressive stop ring PSR			Progressive ring DPR			Weight g/1 pc.			
		L1	Order code* Steel, zinc plated Cr6 free passiv.		Stainless Steel		Brass	PN (bar)	L2	Order code Steel, zinc plated Cr6 free passiv.		PN (bar)	L3		Order code Stainless Steel		PN (bar)
LL	04	6.0	D04LLX	100	D04LL71X	100	D04LLMSX	63	—	—	—	—	—	—	—	—	0.3
	06	7.0	D06LLX	100	D06LL71X	100	D06LLMSX	63	—	—	—	—	—	—	—	—	0.8
	08	7.0	D08LLX	100	D08LL71X	100	D08LLMSX	63	—	—	—	—	—	—	—	—	1.0
	10	7.0	D10LLX	100	D10LL71X	100	D10LLMSX	63	—	—	—	—	—	—	—	—	1.3
	12	7.5	D12LLX	100	D12LL71X	100	D12LLMSX	63	—	—	—	—	—	—	—	—	1.6
L	06	9.5	—	—	—	—	D06LMSX	200	9.5	PSR06LX	500	9.0	DPR06L71X	315	1.7		
	08	9.0	—	—	—	—	D08LMSX	200	9.5	PSR08LX	500	9.0	DPR08L71X	315	2.2		
	10	10.0	—	—	—	—	D10LMSX	200	10.0	PSR10LX	500	9.5	DPR10L71X	315	3.1		
	12	10.0	—	—	—	—	D12LMSX	200	10.0	PSR12LX	400	9.8	DPR12L71X	315	3.5		
	15	10.0	—	—	—	—	D15LMSX	200	10.0	PSR15LX	400	9.5	DPR15L71X	315	4.5		
	18	10.0	—	—	—	—	D18LMSX	200	10.0	PSR18LX	400	9.5	DPR18L71X	315	5.5		
	22	10.5	—	—	—	—	D22LMSX	100	10.5	PSR22LX	250	10.5	DPR22L71X	160	7.3		
	28	10.5	—	—	—	—	D28LMSX	100	10.5	PSR28LX	250	11.0	DPR28L71X	160	9.4		
	35	13.0	—	—	—	—	D35LMSX	100	13.0	PSR35LX	250	13.5	DPR35L71X	160	20.0		
	42	13.5	—	—	—	—	D42LMSX	100	13.0	PSR42LX	250	13.5	DPR42L71X	160	23.0		
	S	06	9.5	—	—	—	—	D06SMSX	400	9.5	PSR06SX	800	9.0	DPR06S71X	630	1.7	
08		9.0	—	—	—	—	D08SMSX	400	9.5	PSR08SX	800	9.0	DPR08S71X	630	3.2		
10		10.0	—	—	—	—	D10SMSX	400	10.0	PSR10SX	800	9.5	DPR10S71X	630	3.1		
12		10.0	—	—	—	—	D12SMSX	400	10.0	PSR12SX	630	9.8	DPR12S71X	630	3.5		
14		10.0	—	—	—	—	D14SMSX	400	10.0	PSR14SX	630	9.5	DPR14S71X	630	3.9		
16		10.5	—	—	—	—	D16SMSX	250	10.0	PSR16SX	630	9.5	DPR16S71X	400	5.6		
20		12.5	—	—	—	—	D20SMSX	250	13.0	PSR20SX	420	12.5	DPR20S71X	400	11.4		
25		12.5	—	—	—	—	D25SMSX	250	13.0	PSR25SX	420	12.5	DPR25S71X	400	13.3		
30		13.0	—	—	—	—	D30SMSX	250	13.0	PSR30SX	420	12.5	DPR30S71X	400	19.3		
38		13.5	—	—	—	—	D38SMSX	200	13.0	PSR38SX	420	13.0	DPR38S71X	315	22.5		

$$\frac{\text{PN (bar)}}{10} = \text{PN (MPa)}$$

S Sleeve screw

for thread holes according to DIN 3854



Series	D1 	T1	D3	D4	L1	L2	L3	L4	L5	S1	Weight g/1 piece	Order code*	PN (bar) ¹⁾		
													CF	A3C	71
LL ²⁾	04	M8×1	5.0	3.0	12	8.0	6	4.0	12.5	8	3	S04LL	100	100	100
	06	M10×1	7.5	4.5	13	9.0	7	5.5	14.5	10	4	S06LL	100	100	100
	08	M12×1	9.5	6.0	14	9.5	7	5.5	14.5	12	6	S08LL	100	100	100
L ³⁾	06	M12×1.5	8.1	4.0	16	11.5	10	7.0	18.5	12	9	S06L	315	315	315
	08	M14×1.5	10.1	6.0	16	11.5	10	7.0	18.5	14	11	S08L	315	315	315
	10	M16×1.5	12.3	8.0	17	11.5	10	7.0	18.5	17	15	S10L	315	315	315
	12	M18×1.5	14.3	10.0	18	12.0	10	7.0	19.0	19	19	S12L	315	315	315

¹⁾ Pressure shown = item deliverable

²⁾ LL = very light series; ³⁾ L = light series

$$\frac{\text{PN (bar)}}{10} = \text{PN (MPa)}$$

*Please add the **suffixes** below according to the material/surface required.

Order code suffixes		
Material	Suffix surface and material	Example
Steel, zinc plated, chrome ⁶ -free	CFX	S10LCFX
Steel, zinc yellow plated	A3CX	S10LA3CX
Stainless Steel	71X	S10L71X